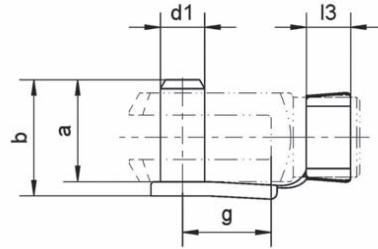
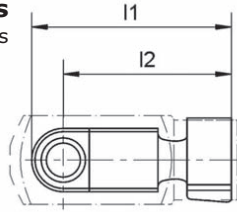


Folding spring bolts
for clevises



Mounting and removal is possible without tools!

Example for ordering: Folding spring bolt
for clevis G 10 x 20 DIN 71 752;
FKB 10 x 20
Order number: 10 01 0010 8001

mbo standard 01
FKB

Identifier FKB	Order number	Suitable for clevis	d1 h11	g	a	b	l1 ≈	l2 ≈	l3 ≈	Mass [kg] 100 pieces
4 x 8	10 01 0004 8001	G 4 x 8	4	8	9.5	11.1	19	15	4.5	0.145
5 x 10	10 01 0005 8001	G 5 x 10	5	10	12	13.7	23	19	5.5	0.254
5 x 20	10 01 0005 8002	G 5 x 20		20		13.8	33	29		0.31
6 x 12	10 01 0006 8001	G 6 x 12	6	12	14	16.2	28	23	6.5	0.458
6 x 24	10 01 0006 8002	G 6 x 24		24		16.3	40	35		0.516
8 x 16	10 01 0008 8001	G 8 x 16	8	16	19	21.6	37	30	8	1.059
8 x 32	10 01 0008 8002	G 8 x 32		32		21.6	52	46		1.155
10 x 20	10 01 0010 8001	G 10 x 20	10	20	23	26	46	38	10	1.938
10 x 40	10 01 0010 8002	G 10 x 40		40		26.3	66	58		2.046
12 x 24	10 01 0012 8001	G 12 x 24	12	24	28	31.1	53	45	12	3.306
12 x 48	10 01 0012 8002	G 12 x 48		48		31.2	78	69		3.5
14 x 28	10 01 0014 8001	G 14 x 28	14	28	31	34.1	62	52	14	4.722
14 x 56	10 01 0014 8002	G 14 x 56		56		34	92	82		5.076
16 x 32	10 01 0016 8001	G 16 x 32	16	32	36	39.5	73	62	16	6.94
16 x 64	10 01 0016 8002	G 16 x 64		64		39.2	103	92		7.44
20 x 40	10 01 0020 8001	G 20 x 40	20	40	45	50	87.5	71.5	16	13

Material:

Bolt: 1.0718 (11SMnPb30+C),
tensile strength approx. 550-700 N/mm²
alternative: C45 inductive hardened,
hardening depth: approx. 0.5 mm
alternative: 1.0718 hardened by soft nitriding,
hardening depth: approx. 0.03 mm
Spring: C60 to Ck75, hardened and annealed to
approx. 430-500 HV

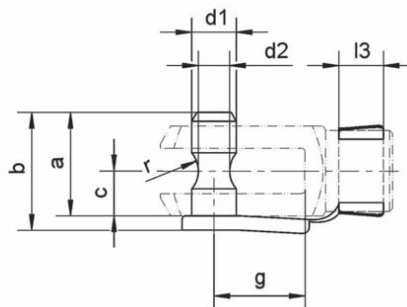
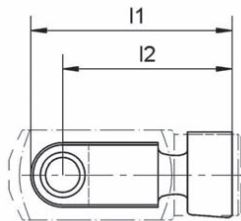
Surface protection:

as standard phosphatized, oiled
optional: electroplated galvanized, passivated
in white-blue (silver/clear) or yellow

Special versions upon request

Folding spring bolts with groove

for clevises



Mounting and removal is possible without tools!

Example for ordering:

Folding spring bolt with groove
for clevis G 10 x 20 DIN 71 752;
FKBR 10 x 20
Order number: 10 01 0010 9001

mbo standard 01
FKBR

Identifier FKBR	Order number	Suitable for clevis	d1 h11	d2	c	r	g	a	b	l1 ≈	l2 ≈	l3 ≈	Mass [kg] 100 pieces
4 x 8	10 01 0004 9001	G 4 x 8	4	3	4	2.5	8	9.5	11.1	19	15	4.5	0.156
5 x 10	10 01 0005 9001	G 5 x 10	5	4	5	3	10	12	13.7	23	19	5.5	0.239
5 x 20	10 01 0005 9002	G 5 x 20					20		13.8	33	29		
6 x 12	10 01 0006 9001	G 6 x 12	6	4.5	6	4	12	14	16.2	28	23	6.5	0.438
6 x 24	10 01 0006 9002	G 6 x 24					24		16.3	40	35		
8 x 16	10 01 0008 9001	G 8 x 16	8	6	8	5	16	19	21.6	37	30	8	0.999
8 x 32	10 01 0008 9002	G 8 x 32					32		21.6	52	46		
10 x 20	10 01 0010 9001	G 10 x 20	10	7	10	6	20	23	26	46	38	10	1.779
10 x 40	10 01 0010 9002	G 10 x 40					40		26.3	66	58		
12 x 24	10 01 0012 9001	G 12 x 24	12	9	12	8	24	28	31.1	53	45	12	2.982
12 x 48	10 01 0012 9002	G 12 x 48					48		31.2	78	69		
16 x 32	10 01 0016 9001	G 16 x 32	16	12	16	12	32	36	39.5	73	62	16	6.12
20 x 40	10 01 0020 9001	G 20 x 40	20	16	20	16	40	45	50	87.5	71.5	16	12.9

Material:

Bolt: 1.0718 (11SMnPb30+C),
tensile strength approx. 550-700 N/mm²
alternative: C45 inductive hardened,
hardening depth: approx. 0.5 mm
alternative: 1.0718 hardened by soft nitriding
hardening depth: approx. 0.03 mm
Spring: C60 to Ck75, hardened and annealed to
approx. 430-500 HV

Surface protection:

as standard phosphatized, oiled
optional: electroplated galvanized, passivated
in white-blue (silver/clear) or yellow

Special versions upon request