



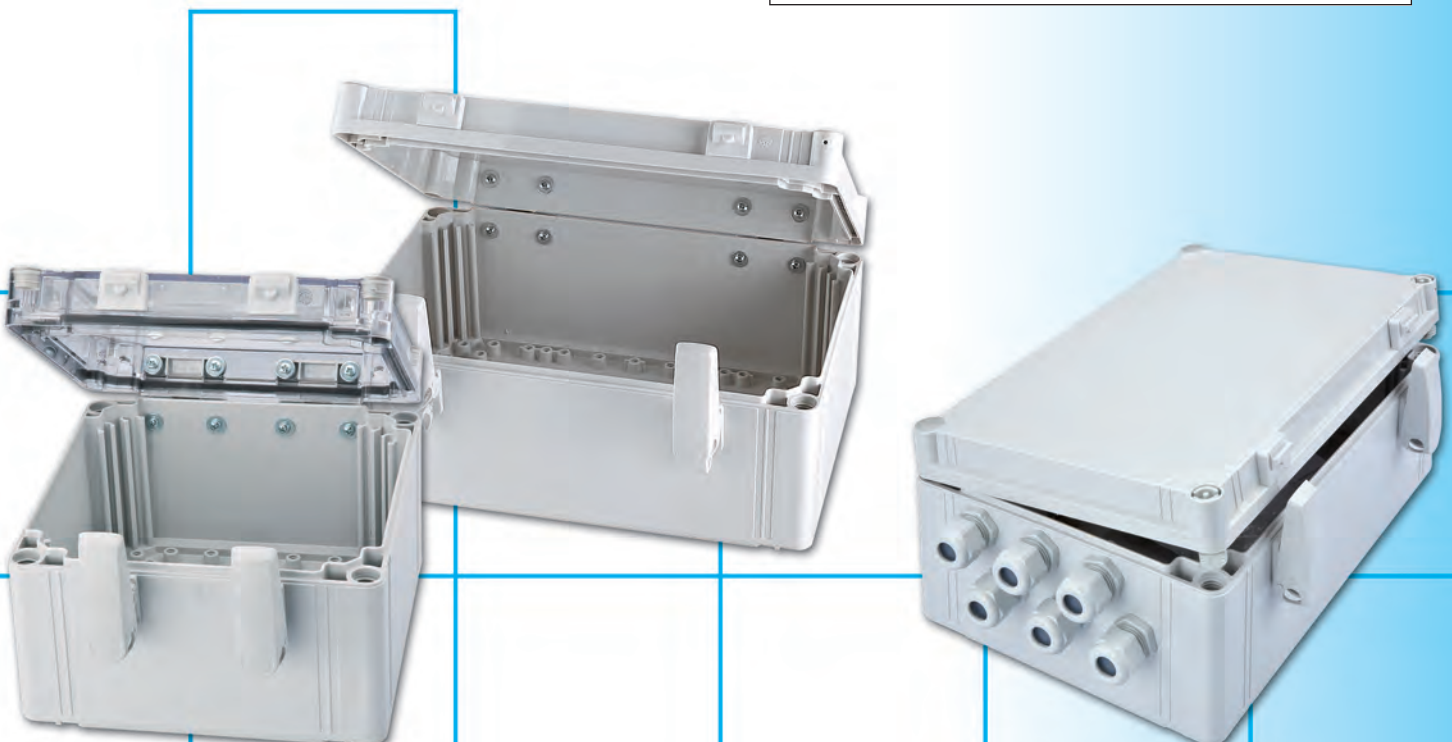
Setting Standards

Wall Mounted Cabinets made of PC

Series 14 with smooth walls

These Enclosures are equipped with pre-installed hinges and quick release latches. The accessories of series 13 fit these products.

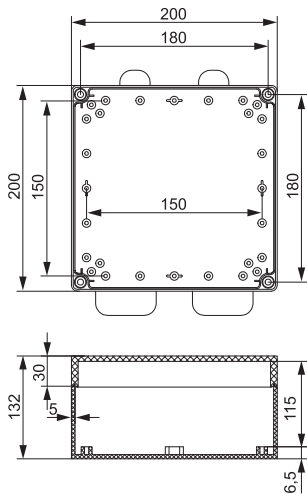
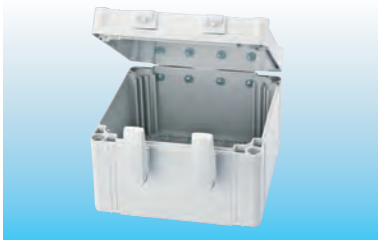
Conformity	
Polycarbonate Enclosure:	CE RoHS (F) UL cULus PC
Technical Information	
Protection according to EN 60529	IP 66 / 67
Impact rating according to EN 62262	PC: IK 08 (-25 °C...+35 °C)
Temperature range	PC: -50 °C...+100 °C
Flammability	PC: UL746C 5V
Material	
Bottom	Fiber reinforced Polyester
Cover	Polycarbonate
Cover Screws	Fiber reinforced Polyamid
Gasket	PUR (Polyurethane)
Standard color	
Bottom	Grey, RAL 7035
Cover	Grey, RAL 7035 or transparent





Wall mounted Enclosures made of Polycarbonate

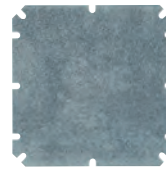
200 x 200 x 132 mm



Polycarbonate	Part Number
Grey cover, plain sides	3.140.0743.08
Transp. cover*, plain sides	3.140.0743.84

Assembly and machining services of your enclosures are available upon request.
Drawings with additional dimensions can be furnished upon request.

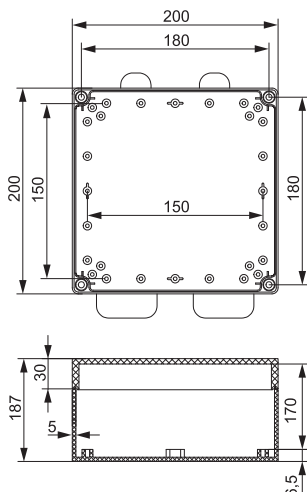
Accessories	Part Number
Mounting plate, 1,5 mm thick, galvanized steel	3.140.0646.75
DIN Rail, DIN 35	3.140.0647.43



Assembly screws are included.
*Transparent cover always out of Polycarbonate

Additional accessories on page 62.

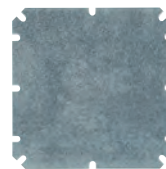
200 x 200 x 187 mm



Polycarbonate	Part Number
Grey cover, plain sides	3.140.0744.69
Transp. cover*, plain sides	3.140.0745.44

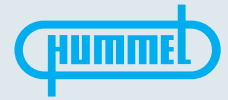
Assembly and machining services of your enclosures are available upon request.
Drawings with additional dimensions can be furnished upon request.

Accessories	Part Number
Mounting plate, 1,5 mm thick, galvanized steel	3.140.0646.75
DIN Rail, DIN 35	3.140.0647.43



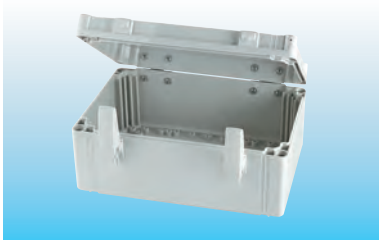
This type Enclosure includes Extension Frame
Assembly screws are included.
*Transparent cover always out of Polycarbonate

Additional accessories on page 62.



Wall mounted Enclosures made of Polycarbonate

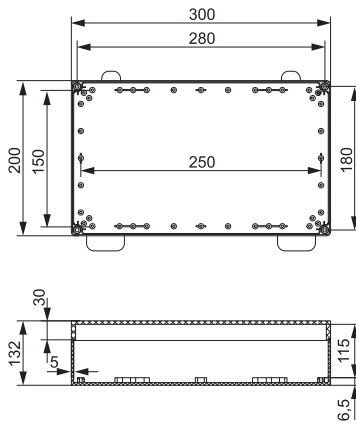
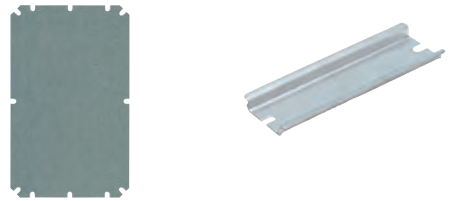
200 x 300 x 132 mm



Polycarbonate	Part Number
Grey cover, plain sides	3.140.0743.15
Transp. cover*, plain sides	3.140.0743.91

Assembly and machining services of your enclosures are available upon request.
Drawings with additional dimensions can be furnished upon request.

Accessories	Part Number
Mounting plate, 1,5 mm thick, galvanized steel	3.140.0646.82
DIN Rail, DIN 35, short side	3.140.0647.43
DIN Rail, DIN 35, long side	3.140.0647.50



Assembly screws are included.
*Transparent cover always out of Polycarbonate

Additional accessories on page 62.

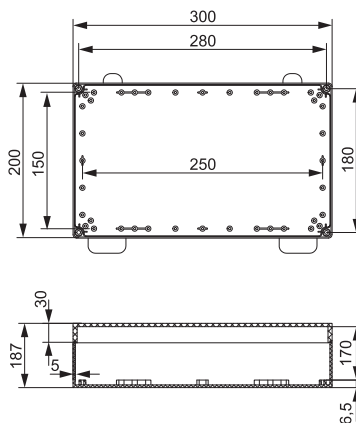
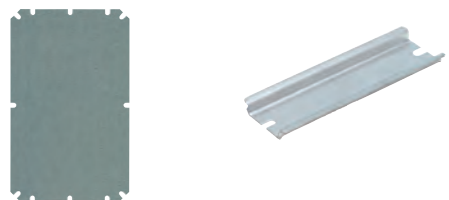
200 x 300 x 187 mm



Polycarbonate	Part Number
Grey cover, plain sides	3.140.0744.76
Transp. cover*, plain sides	3.140.0745.51

Assembly and machining services of your enclosures are available upon request.
Drawings with additional dimensions can be furnished upon request.

Accessories	Part Number
Mounting plate, 1,5 mm thick, galvanized steel	3.140.0646.82
DIN Rail, DIN 35, short side	3.140.0647.43
DIN Rail, DIN 35, long side	3.140.0647.50



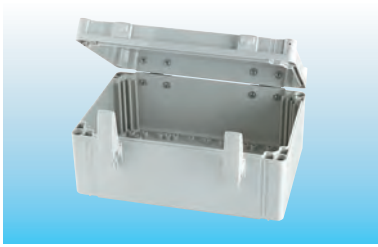
This type Enclosure includes Extension Frame
Assembly screws are included.
*Transparent cover always out of Polycarbonate

Additional accessories on page 62.



Wall mounted Enclosures made of Polycarbonate

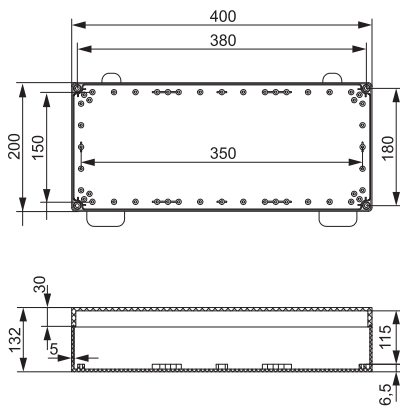
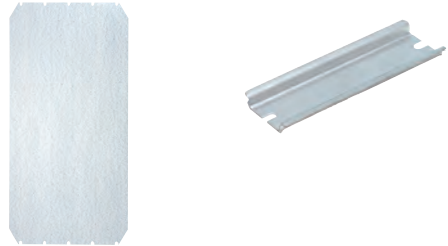
200 x 400 x 132 mm



Polycarbonate	Part Number
Grey cover, plain sides	3.140.0743.22
Transp. cover*, plain sides	3.140.0744.07

Assembly and machining services of your enclosures are available upon request.
Drawings with additional dimensions can be furnished upon request.

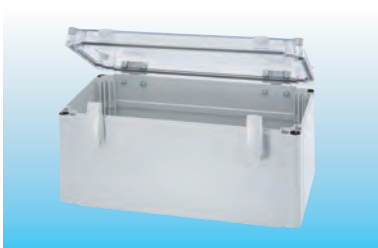
Accessories	Part Number
Mounting plate, 1,5 mm thick, galvanized steel	3.140.0646.99
DIN Rail, DIN 35, short side	3.140.0647.43
DIN Rail, DIN 35, long side	3.140.0647.67



Assembly screws are included.
*Transparent cover always out of Polycarbonate

Additional accessories on page 62.

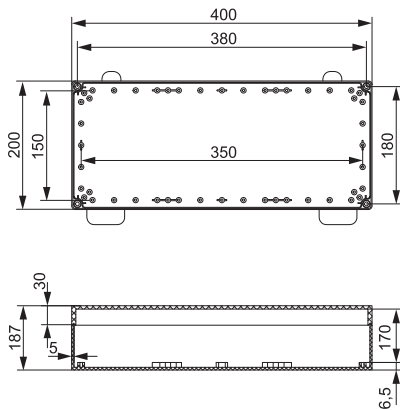
200 x 400 x 187 mm



Polycarbonate	Part Number
Grey cover, plain sides	3.140.0744.83
Transp. cover*, plain sides	3.140.0745.68

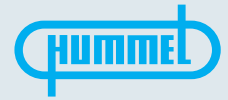
Assembly and machining services of your enclosures are available upon request.
Drawings with additional dimensions can be furnished upon request.

Accessories	Part Number
Mounting plate, 1,5 mm thick, galvanized steel	3.140.0646.99
DIN Rail, DIN 35, short side	3.140.0647.43
DIN Rail, DIN 35, long side	3.140.0647.67



This type Enclosure includes Extension Frame
Assembly screws are included.
*Transparent cover always out of Polycarbonate

Additional accessories on page 62.



Wall mounted Enclosures made of Polycarbonate

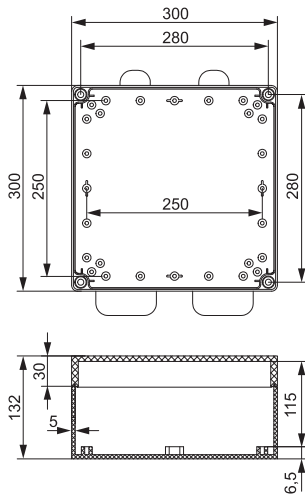
300 x 300 x 132 mm



Polycarbonate	Part Number
Grey cover, plain sides	3.140.0743.39
Transp. cover*, plain sides	3.140.0744.14

Accessories	Part Number
Mounting plate, 1,5 mm thick, galvanized steel	3.140.0647.05
DIN Rail, DIN 35	3.140.0647.50

Assembly and machining services of your enclosures are available upon request.
Drawings with additional dimensions can be furnished upon request.



Assembly screws are included.
*Transparent cover always out of Polycarbonate

Additional accessories on page 62.

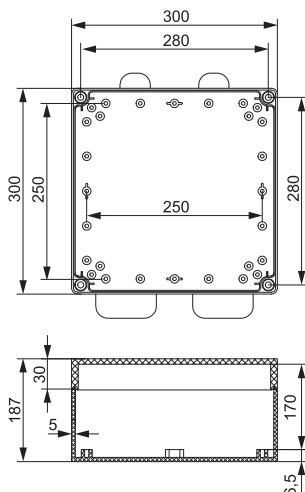
300 x 300 x 187 mm



Polycarbonate	Part Number
Grey cover, plain sides	3.140.0744.90
Transp. cover*, plain sides	3.140.0745.75

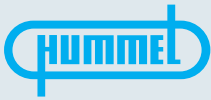
Accessories	Part Number
Mounting plate, 1,5 mm thick, galvanized steel	3.140.0647.05
DIN Rail, DIN 35	3.140.0647.50

Assembly and machining services of your enclosures are available upon request.
Drawings with additional dimensions can be furnished upon request.



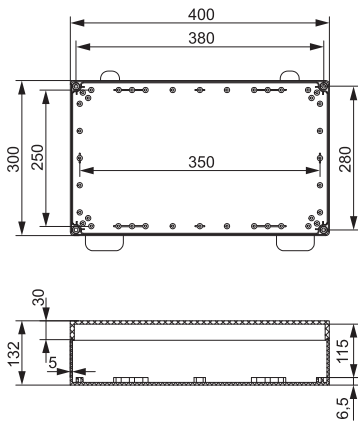
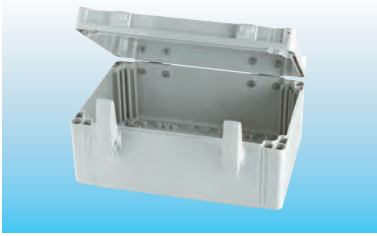
This type Enclosure includes Extension Frame
Assembly screws are included.
*Transparent cover always out of Polycarbonate

Additional accessories on page 62.



Wall mounted Enclosures made of Polycarbonate

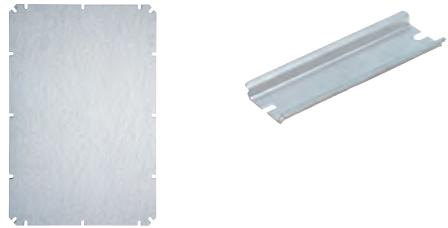
300 x 400 x 132 mm



Polycarbonate	Part Number
Grey cover, plain sides	3.140.0743.46
Transp. cover*, plain sides	3.140.0744.21

Assembly and machining services of your enclosures are available upon request.
Drawings with additional dimensions can be furnished upon request.

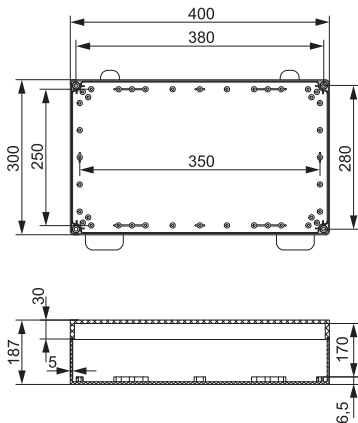
Accessories	Part Number
Mounting plate, 1,5 mm thick, galvanized steel	3.140.0647.12
DIN Rail, DIN 35, short side	3.140.0647.50
DIN Rail, DIN 35, long side	3.140.0647.67



Assembly screws are included.
*Transparent cover always out of Polycarbonate

Additional accessories on page 62.

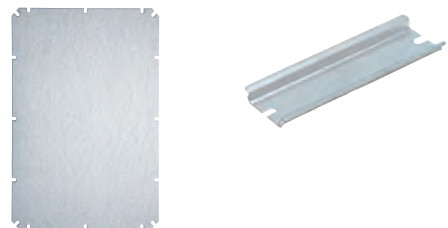
300 x 400 x 187 mm



Polycarbonate	Part Number
Grey cover, plain sides	3.140.0745.06
Transp. cover*, plain sides	3.140.0745.82

Assembly and machining services of your enclosures are available upon request.
Drawings with additional dimensions can be furnished upon request.

Accessories	Part Number
Mounting plate, 1,5 mm thick, galvanized steel	3.140.0647.12
DIN Rail, DIN 35, short side	3.140.0647.50
DIN Rail, DIN 35, long side	3.140.0647.67



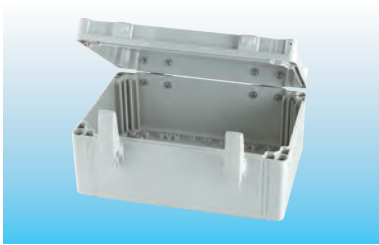
This type Enclosure includes Extension Frame
Assembly screws are included.
*Transparent cover always out of Polycarbonate

Additional accessories on page 62.



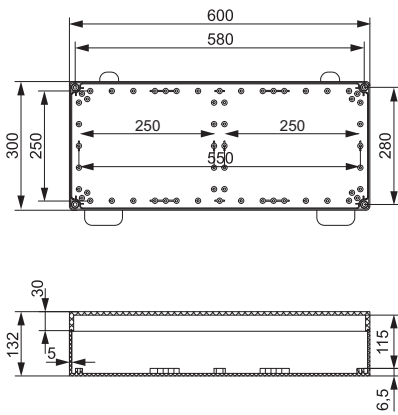
Wall mounted Enclosures made of Polycarbonate

300 x 600 x 132 mm



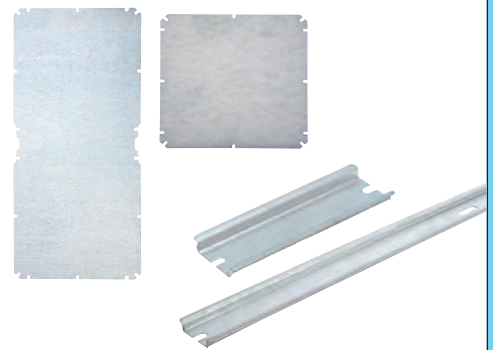
Polycarbonate	Part Number
Grey cover, plain sides	3.140.0743.53
Transp. cover*, plain sides	3.140.0744.38

Assembly and machining services of your enclosures are available upon request.
Drawings with additional dimensions can be furnished upon request.



Assembly screws are included.
*Transparent cover always out of Polycarbonate

Accessories	Part Number
Mounting plate, 1,5 mm thick, galvanized steel	3.140.0647.29
Mounting plate, 260x260x1,5 mm, galvanized steel	3.140.0647.05
DIN Rail, DIN 35, short side	3.140.0647.50
DIN Rail, DIN 35, 35 x 560 mm	3.140.0647.74



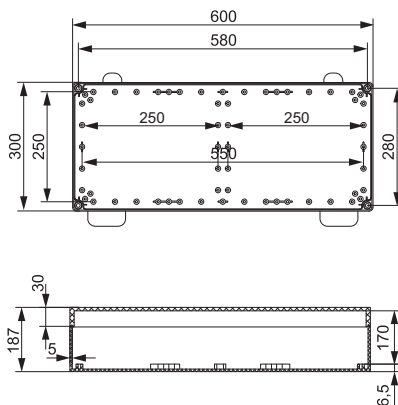
Additional accessories on page 62.

300 x 600 x 187 mm



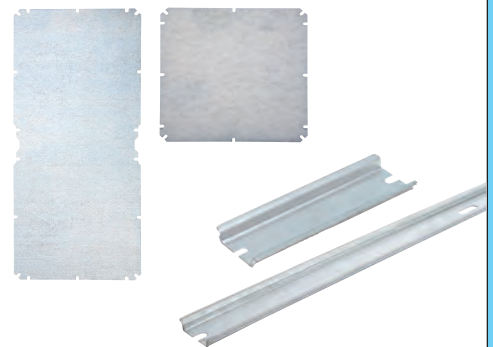
Polycarbonate	Part Number
Grey cover, plain sides	3.140.0745.13
Transp. cover*, plain sides	3.140.0745.99

Assembly and machining services of your enclosures are available upon request.
Drawings with additional dimensions can be furnished upon request.



This type Enclosure includes Extension Frame
Assembly screws are included.
*Transparent cover always out of Polycarbonate

Accessories	Part Number
Mounting plate, 1,5 mm thick, galvanized steel	3.140.0647.29
Mounting plate, 260x260x1,5 mm, galvanized steel	3.140.0647.05
DIN Rail, DIN 35, short side	3.140.0647.50
DIN Rail, DIN 35, 35 x 560 mm	3.140.0647.74

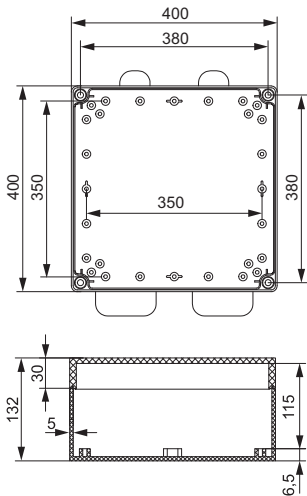
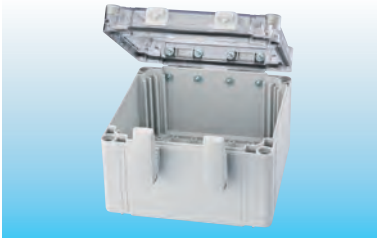


Additional accessories on page 62.



Wall mounted Enclosures made of Polycarbonate

400 x 400 x 132 mm



Polycarbonate	Part Number
Grey cover, plain sides	3.140.0743.49
Transp. cover*, plain sides	3.140.0744.29

Assembly and machining services of your enclosures are available upon request.
Drawings with additional dimensions can be furnished upon request.

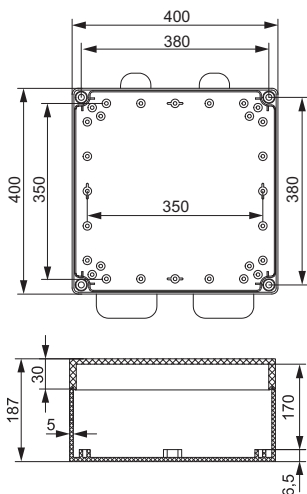
Accessories	Part Number
Mounting plate, 1,5 mm thick, galvanized steel	3.140.0647.20
DIN Rail, DIN 35, short side	3.140.0647.67



Assembly screws are included.
*Transparent cover always out of Polycarbonate

Additional accessories on page 62.

400 x 400 x 187 mm



Polycarbonate	Part Number
Grey cover, plain sides	3.140.0745.10
Transp. cover*, plain sides	3.140.0745.91

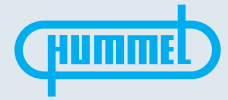
Assembly and machining services of your enclosures are available upon request.
Drawings with additional dimensions can be furnished upon request.

Accessories	Part Number
Mounting plate, 1,5 mm thick, galvanized steel	3.140.0647.20
DIN Rail, DIN 35, short side	3.140.0647.67



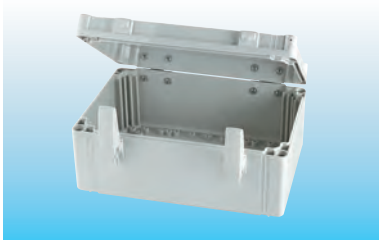
This type Enclosure includes Extension Frame
Assembly screws are included.
*Transparent cover always out of Polycarbonate

Additional accessories on page 62.



Wall mounted Enclosures made of Polycarbonate

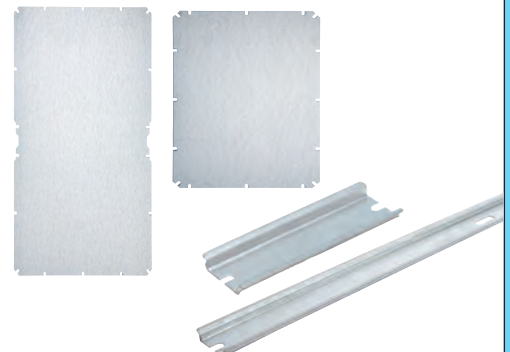
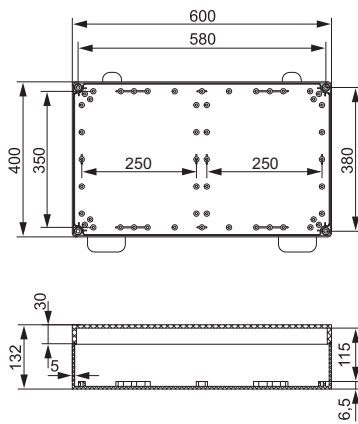
400 x 600 x 132 mm



Polycarbonate	Part Number
Grey cover, plain sides	3.140.0743.77
Transp. cover*, plain sides	3.140.0744.52

Assembly and machining services of your enclosures are available upon request.
Drawings with additional dimensions can be furnished upon request.

Accessories	Part Number
Mounting plate, 1,5 mm thick, galvanized steel	3.140.0647.36
Mounting plate, 260x360x1,5 mm, galvanized steel	3.140.0647.12
DIN Rail, DIN 35, short side	3.140.0647.67
DIN Rail, DIN 35, 35 x 560 mm	3.140.0647.74



Additional accessories on page 62.

Assembly screws are included.
*Transparent cover always out of Polycarbonate

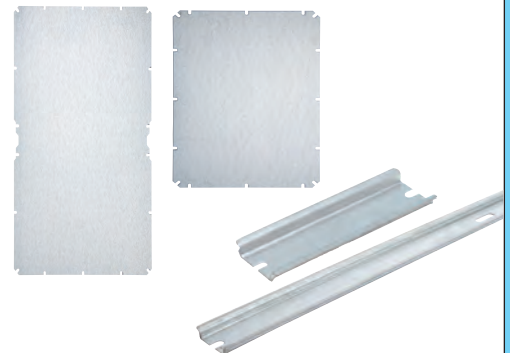
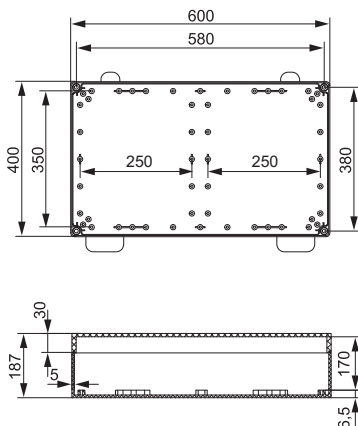
400 x 600 x 187 mm



Polycarbonate	Part Number
Grey cover, plain sides	3.140.0745.37
Transp. cover*, plain sides	3.140.0746.12

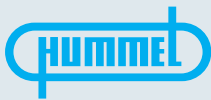
Assembly and machining services of your enclosures are available upon request.
Drawings with additional dimensions can be furnished upon request.

Accessories	Part Number
Mounting plate, 1,5 mm thick, galvanized steel	3.140.0647.36
Mounting plate, 260x360x1,5 mm, galvanized steel	3.140.0647.12
DIN Rail, DIN 35, short side	3.140.0647.67
DIN Rail, DIN 35, 35 x 560 mm	3.140.0647.74



Additional accessories on page 62.

This type Enclosure includes Extension Frame
Assembly screws are included.
*Transparent cover always out of Polycarbonate



Series 14 – Accessories

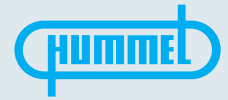
Accessories		
Outside Latches	Size mm	Part Number
Fastening lugs, set	19 x 40 x 35,5	3.814.0647.81

Accessories		
Adjustable Corner Clips for Mounting Plate	Size mm	Part Number
Single corner clip, including M5 screw	19 / 19 x 14	3.814.0647.98
Adjustable corner clips for mounting plate set incl. 4 pcs.	19 / 19 x 14	3.814.0816.96

Accessories		
Brass Inserts	Size mm	Part Number
Threaded bushing for cover screws when cover mounted on the back	18 / 30 Ø 16	3.814.0717.89
Cover screws set incl. 4 cover screws and 4 brass inserts		3.814.0717.02
Brass Inserts	Size mm	Part Number
Threaded brass inserts	M3	3.814.0723.28
Set of threaded inserts (4 pieces)	M3	3.814.0723.35

Accessories		
Cover Screws		Part Number
Cover screws, slotted / cross head, sealable	1	3.814.0745.90
Cover screws, slotted / cross head, dark grey made of noryl	2	3.814.0747.28
Cover screws, slotted / cross head for 600 mm modular cover	3	3.814.0743.60
Cover screws, spring loaded, cross head	4	3.814.0730.73
Cover screws, wing head	5	3.814.0717.62
Cover screws, DIN 3 head	6	3.814.0717.72
Screws for extension frame	7	3.814.0748.03
Mounting screws for plates and rails	8	3.814.0648.04

Accessories		
Self-tapping standoffs	Length in mm	Part Number
4 M5 Steel screws included		3.814.0718.02
4 Spacers included*		3.814.0723.42
4 M5 Steel screws included		3.814.0718.19
4 Spacers included*		3.814.0723.59
4 M5 Steel screws included		3.814.0718.26
4 Spacers included*		3.814.0723.66
<p>*Set consists of 4 spacers and 4 M5 screws made of steel.</p>		



Accessories for Series 14.

Series 14 – Accessories

Accessories

Hinges	Size mm	Part Number
Hinges (pair)	40 x 50 x 16,5	3.814.0647.74
Hinges (pair), incl. 2 cover plugs	40 x 50 x 16,5	3.814.0723.04

Accessories

Quick release latches	Part Number
Quick release latches (1 pair)	3.814.0647.75

Accessories

Cover Plugs	Size mm	Part Number
Cover plugs, polyethylene	11 x Ø 15 / 17	3.814.0648.11

Accessories

Pressure balance element	Size mm	Part Number
Pressure balance element, grey, Polyamid	M 12 x 1,5	3.213.1200.50
Locking Nut, grey, Polyamid	M 12 x 1,5	3.262.1200.50

Accessories

Key	Size mm	Part Number
Key for DIN 3 head screw	50 x 50	3.814.0724.10



Setting Standards

Did you know ...

...for HUMMEL to build cable assemblies?

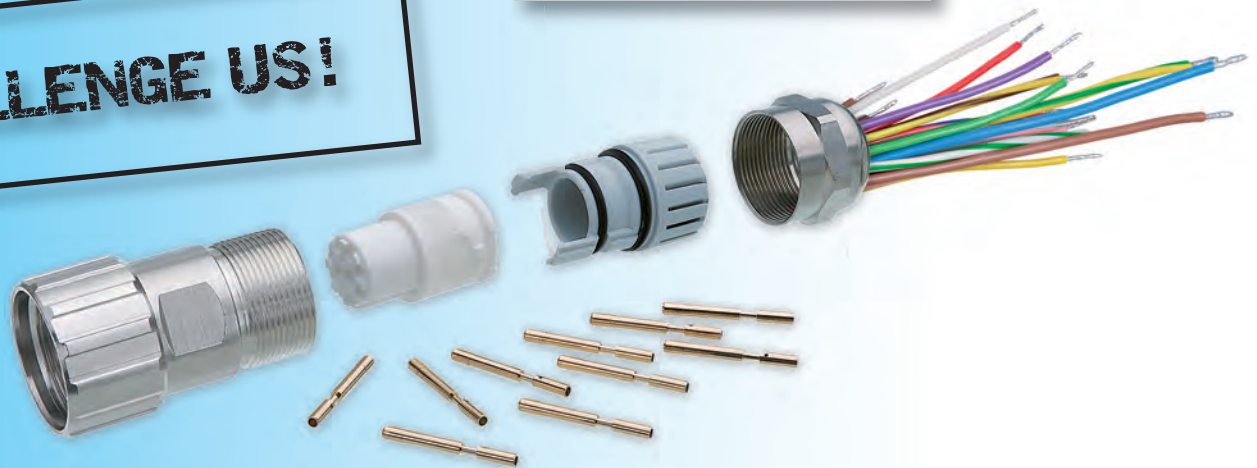
We produce fast, flexible and accurate single and multi-conductor cord sets. 100% testing guarantees the highest quality products.

We build:

- Over moulded Connectors
- Power Connectors
- Signal Connectors



CHALLENGE US!



High precision and quality products

