



Setting Standards

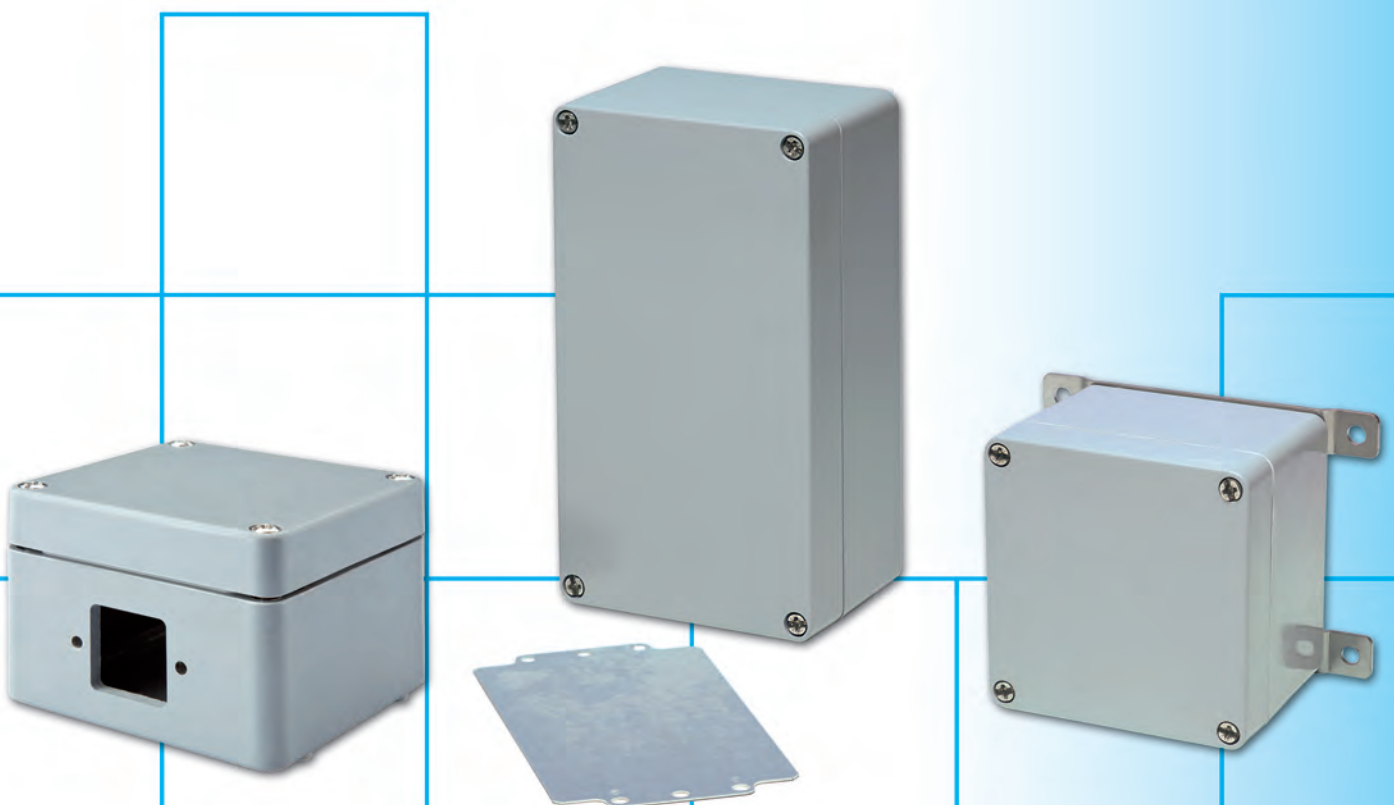
Enclosures made of Polyester

Series 17 with smooth walls

Enclosures are made of fiber reinforced Polyester. They feature plain walls and captive stainless steel screws for the cover.

Due to their rugged construction, very good corrosion and chemical resistance, these Enclosures are suitable for chemical-, and petrochemical environments.

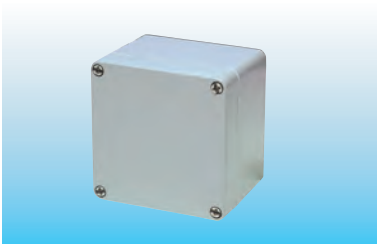
Conformity	
Enclosure made of Polyester:	
Technical Information	
Protection according to EN 60 529	IP 66 IP 67/68 on request
Impact rating according to EN 50 102 IK 08	(-25 °C... +35 °C)
Temperature range	-100 °C...+165 °C
Material	
Bottom/Cover	Fiber reinforced Polyester
Cover screws	Stainless Steel, captive
Gasket	Neoprene
Standard Color	
Bottom/Cover	Grey, RAL 7000 Black, RAL 9005





Enclosures made of Polyester

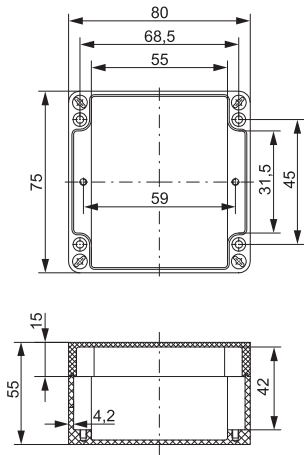
75 x 80 x 55 mm



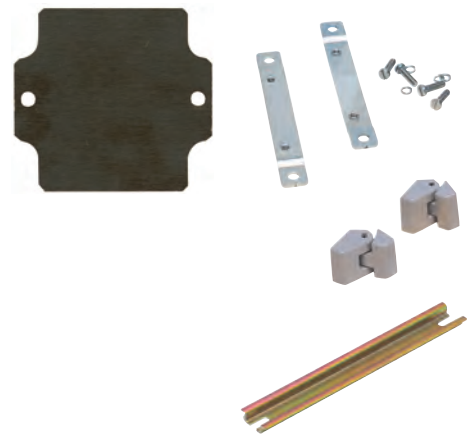
Polyester	Part Number
Grey	3.170.0656.10

Assembly and machining services of your enclosures are available upon request.
Drawings with additional dimensions can be furnished upon request.

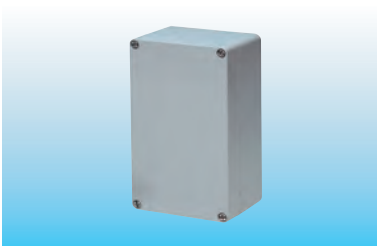
Accessories	Part Number
Mounting plate made of Pertinax	3.170.0577.52
DIN Rail, DIN 15	3.170.0578.99
Hinges, pair	3.170.0578.82
Fastening lugs, AISI 304	3.170.0572.88



Cover screws are included.



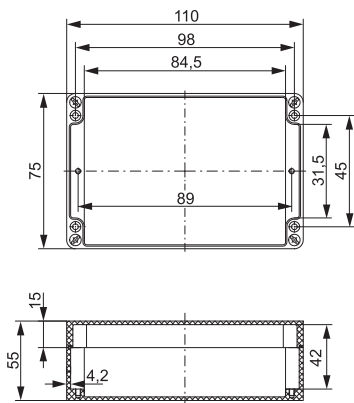
75 x 110 x 55 mm



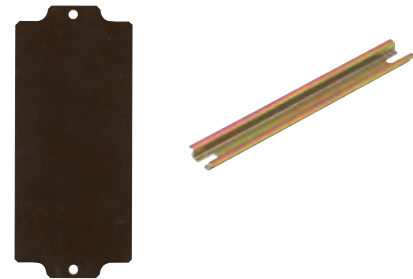
Polyester	Part Number
Grey	3.170.0656.27

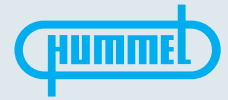
Assembly and machining services of your enclosures are available upon request.
Drawings with additional dimensions can be furnished upon request.

Accessories	Part Number
Mounting plate made of Pertinax	3.170.0577.69
DIN Rail, DIN 15	3.170.0579.05



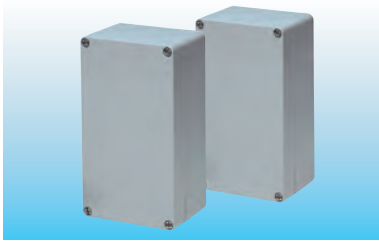
Cover screws are included.





Enclosures made of Polyester

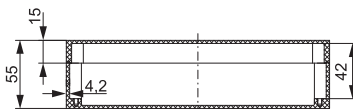
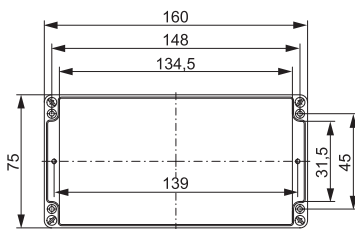
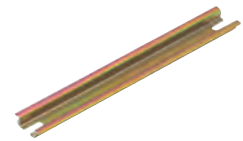
75 x 160 x 55 mm



Polyester	Part Number
Grey	3.170.0656.34

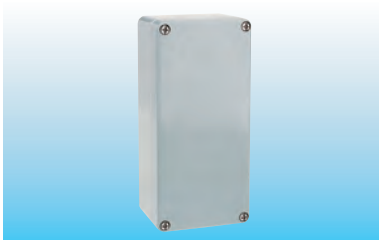
Assembly and machining services of your enclosures are available upon request.
Drawings with additional dimensions can be furnished upon request.

Accessories	Part Number
Mounting plate made of Pertinax	3.170.0577.76
DIN Rail, DIN 15	3.170.0579.12



Cover screws are included.

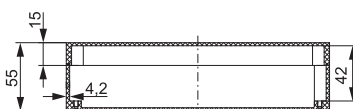
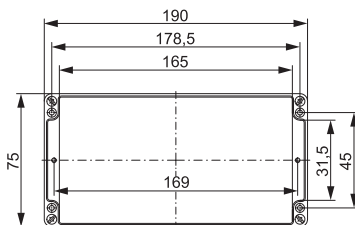
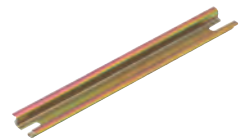
75 x 190 x 55 mm



Polyester	Part Number
Grey	3.170.0656.41

Assembly and machining services of your enclosures are available upon request.
Drawings with additional dimensions can be furnished upon request.

Accessories	Part Number
Mounting plate made of Pertinax	3.170.0577.83
DIN Rail, DIN 15	3.170.0579.29

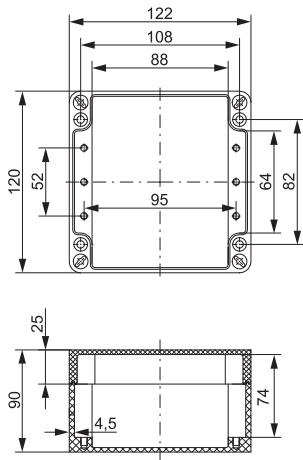
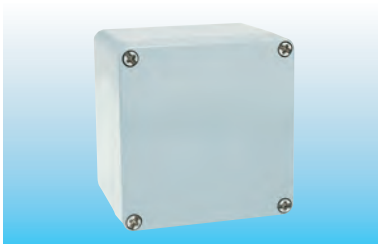


Cover screws are included.



Enclosures made of Polyester

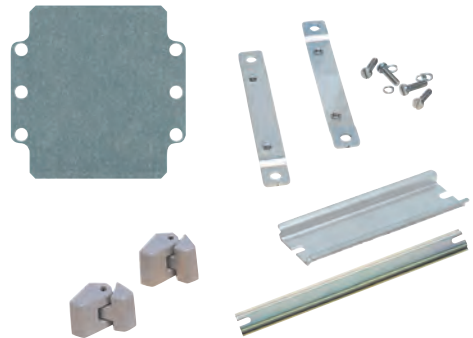
120 x 122 x 90 mm



Polyester	Part Number
Grey	3.170.0656.58

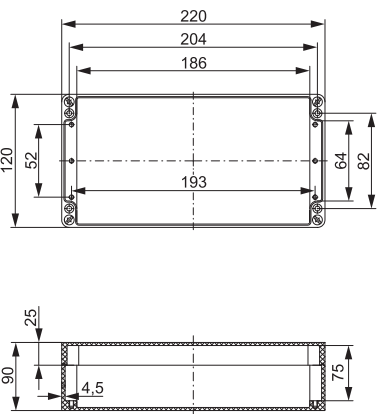
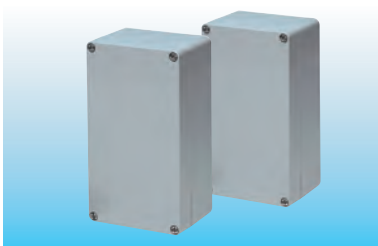
Assembly and machining services of your enclosures are available upon request. Drawings with additional dimensions can be furnished upon request.

Accessories	Part Number
Mounting plate, galvanized steel	3.170.0577.90
DIN Rail, DIN 32	3.170.0571.72
DIN Rail, DIN 35	3.170.0570.59
Hinges, pair	3.170.0578.82
Fastening lugs, AISI 304	3.170.0572.95



Cover screws are included.

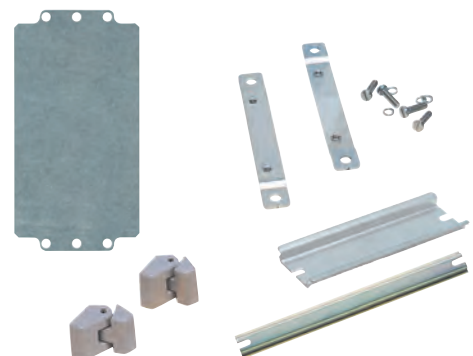
120 x 220 x 90 mm



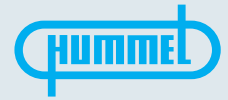
Polyester	Part Number
Grey	3.170.0656.72

Assembly and machining services of your enclosures are available upon request. Drawings with additional dimensions can be furnished upon request.

Accessories	Part Number
Mounting plate, galvanized steel	3.170.0578.06
DIN Rail, DIN 32	3.170.0571.89
DIN Rail, DIN 35	3.170.0570.66
Hinges, pair	3.170.0578.82
Fastening lugs, AISI 304	3.170.0572.95

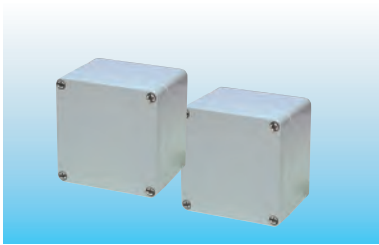


Cover screws are included.



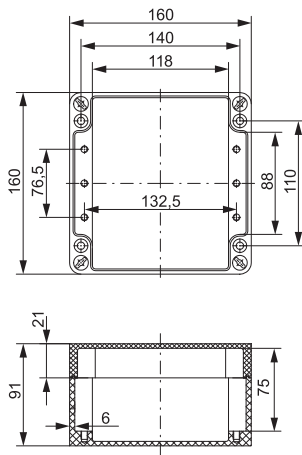
Enclosures made of Polyester

160 x 160 x 91 mm



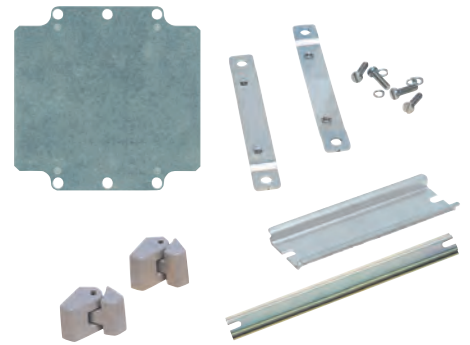
Polyester	Part Number
Grey	3.170.0656.89

Assembly and machining services of your enclosures are available upon request.
Drawings with additional dimensions can be furnished upon request.

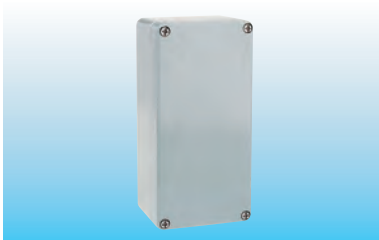


Cover screws are included.

Accessories	Part Number
Mounting plate, galvanized steel	3.170.0578.13
DIN Rail, DIN 32	3.170.0572.02
DIN Rail, DIN 35	3.170.0570.80
Hinges, pair	3.170.0578.82
Fastening lugs, AISI 304	3.170.0573.01

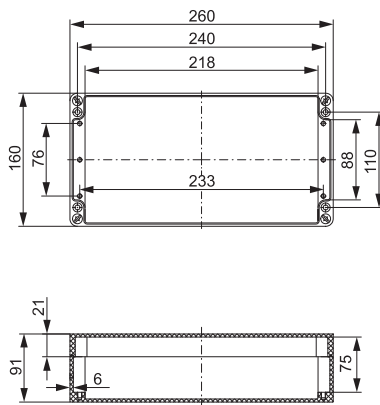


160 x 260 x 91 mm



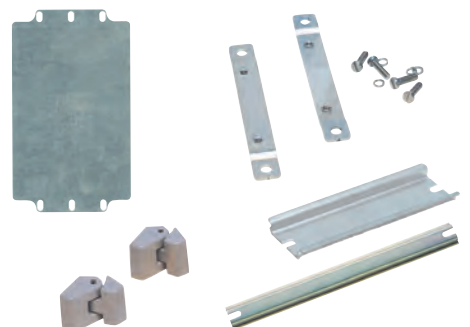
Polyester	Part Number
Grey	3.170.0657.02

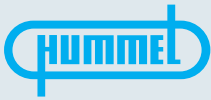
Assembly and machining services of your enclosures are available upon request.
Drawings with additional dimensions can be furnished upon request.



Cover screws are included.

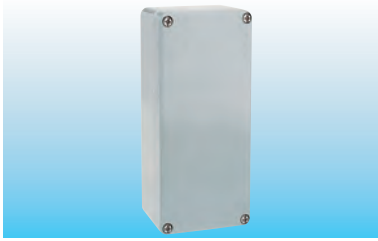
Accessories	Part Number
Mounting plate, galvanized steel	3.170.0578.20
DIN Rail, DIN 32	3.170.0572.19
DIN Rail, DIN 35	3.170.0570.97
Hinges, pair	3.170.0578.82
Fastening lugs, AISI 304	3.170.0573.01





Enclosures made of Polyester

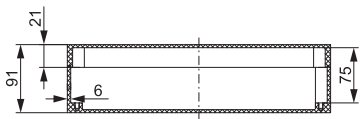
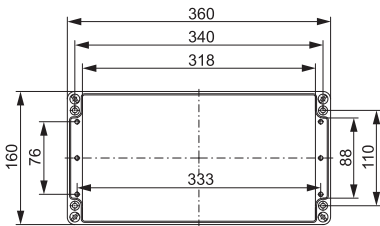
160 x 360 x 91 mm



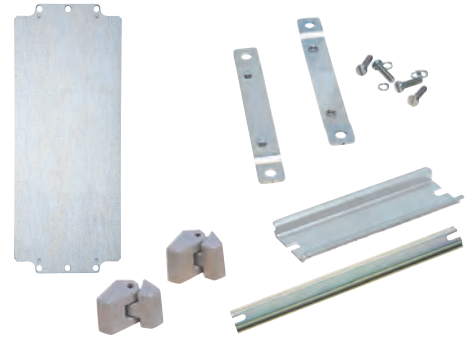
Polyester	Part Number
Grey	3.170.0657.19

Assembly and machining services of your enclosures are available upon request.
Drawings with additional dimensions can be furnished upon request.

Accessories	Part Number
Mounting plate, galvanized steel	3.170.0578.37
DIN Rail, DIN 32	3.170.0580.87
DIN Rail, DIN 35	3.170.0579.74
Hinges, pair	3.170.0578.82
Fastening lugs, AISI 304	3.170.0573.01



Cover screws are included.



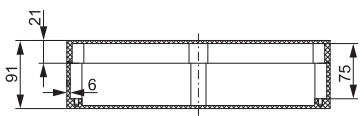
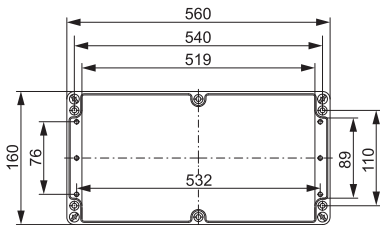
160 x 560 x 91 mm



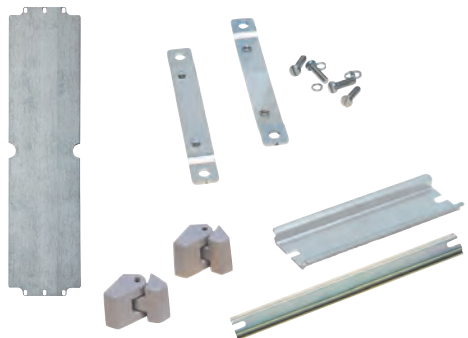
Polyester	Part Number
Grey	3.170.0657.26

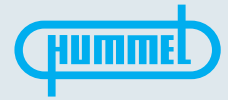
Assembly and machining services of your enclosures are available upon request.
Drawings with additional dimensions can be furnished upon request.

Accessories	Part Number
Mounting plate, galvanized steel	3.170.0578.44
DIN Rail, DIN 32	3.170.0572.26
DIN Rail, DIN 35	3.170.0571.03
Hinges, pair	3.170.0578.82
Fastening lugs, AISI 304	3.170.0573.01



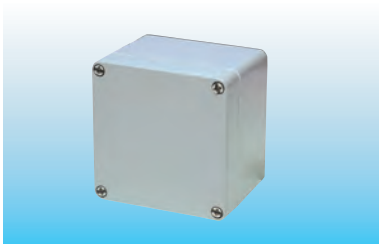
Cover screws are included.





Enclosures made of Polyester

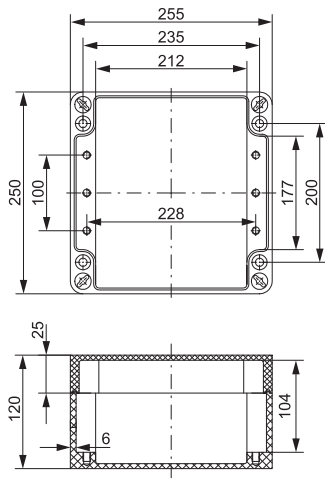
250 x 255 x 120 mm



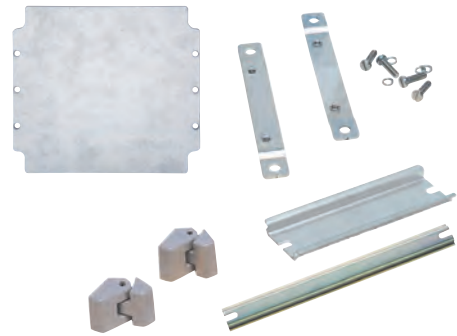
Polyester	Part Number
Grey	3.170.0657.33

Assembly and machining services of your enclosures are available upon request.
Drawings with additional dimensions can be furnished upon request.

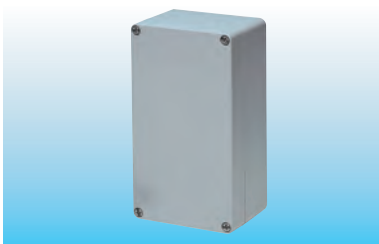
Accessories	Part Number
Mounting plate, galvanized steel	3.170.0578.51
DIN Rail, DIN 32	3.170.0581.00
DIN Rail, DIN 35	3.170.0579.98
Hinges, pair	3.170.0578.82
Fastening lugs, AISI 304	3.170.0573.18



Cover screws are included.



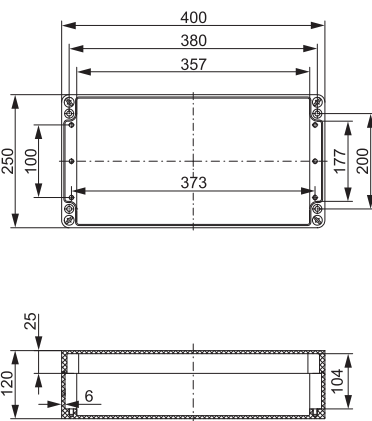
250 x 400 x 120 mm



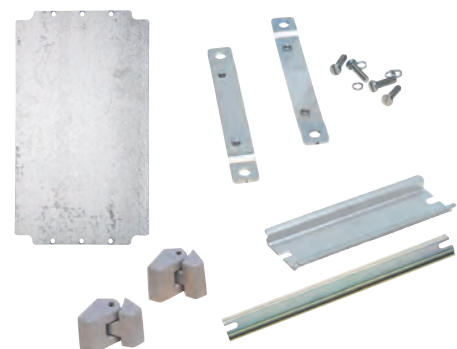
Polyester	Part Number
Grey	3.170.0657.57

Assembly and machining services of your enclosures are available upon request.
Drawings with additional dimensions can be furnished upon request.

Accessories	Part Number
Mounting plate, galvanized steel	3.170.0578.68
DIN Rail, DIN 32	3.170.0581.17
DIN Rail, DIN 35	3.170.0580.01
Hinges, pair	3.170.0578.82
Fastening lugs, AISI 304	3.170.0573.18



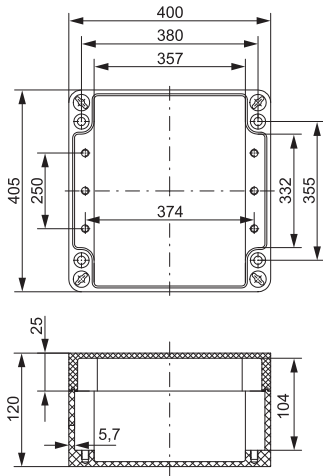
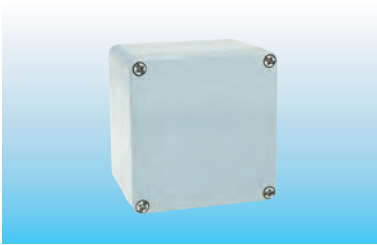
Cover screws are included.





Enclosures made of Polyester

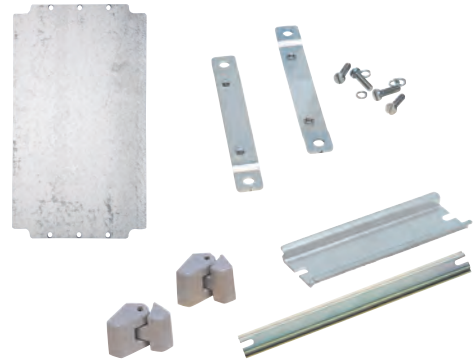
400 x 405 x 120 mm



Polyester	Part Number
Grey	3.170.0657.64

Assembly and machining services of your enclosures are available upon request.
Drawings with additional dimensions can be furnished upon request.

Accessories	Part Number
Mounting plate, galvanized steel	3.170.0578.75
DIN Rail, DIN 32	3.170.0581.17
DIN Rail, DIN 35	3.170.0580.01
Hinges, pair	3.170.0578.82
Fastening lugs, AISI 304	3.170.0573.25



Cover screws are included.