



Setting Standards

Enclosures made of Steel

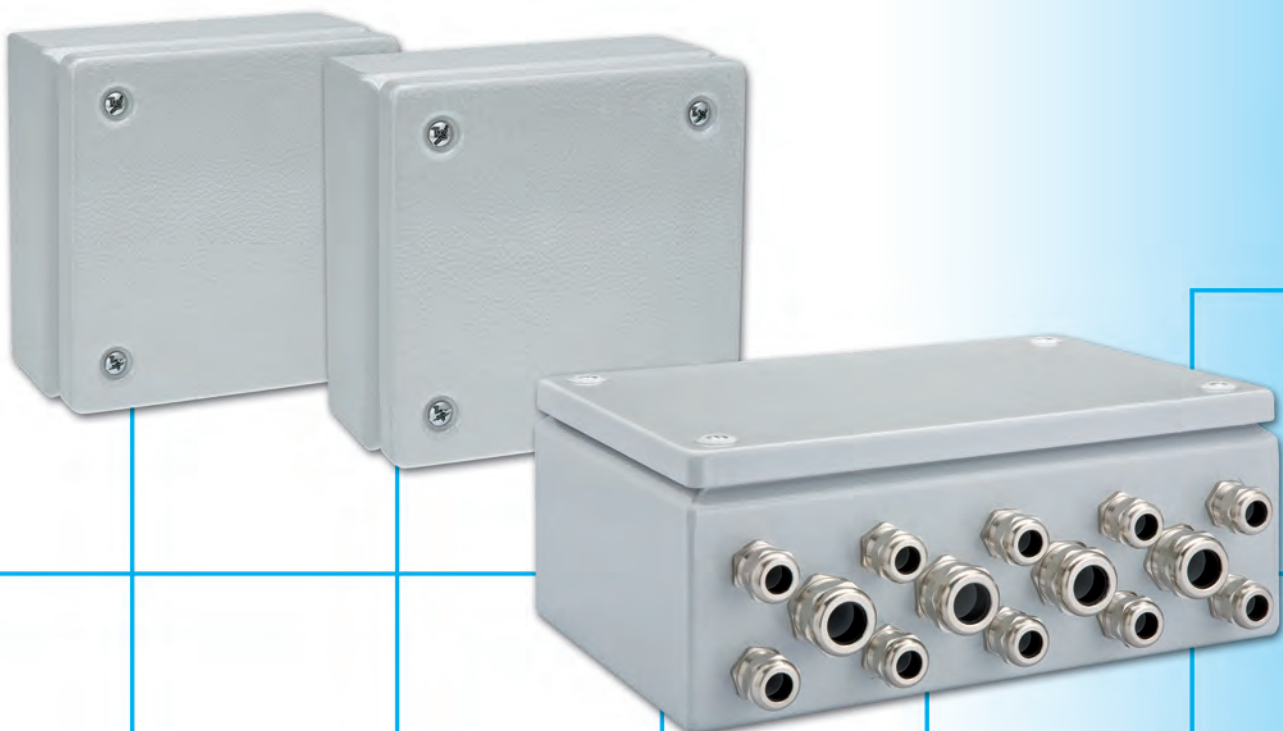
Series 18 with smooth walls

The enclosures are made of grey RAL 7035 powder coated steel, ideally used in terminal boxes.

Standard equipment includes a perforated mounting angle to facilitate installation of the mounting plate or DIN rails. This makes it possible to drill access holes for cables anywhere along the sidewalls.

A 120 mm (4 3/4") deep Steel Enclosure with mounting flange or with Polycarbonate translucent top will be available upon request.

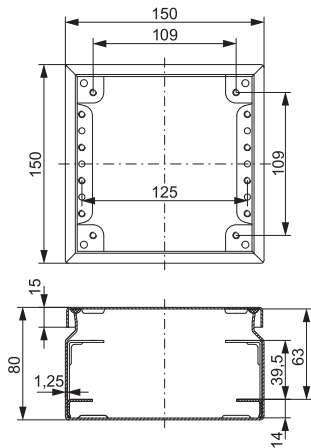
Conformity	
Fabricated Sheet Metal Enclosure:	CE RoHS (FI) PC
Technical information	
Protection according to EN 60 529	IP 66
Impact rating according to EN 50 102 IK 09	(-25 °C...+35 °C)
Temperature range	-30 °C...+80 °C
Material	
Bottom/Cover	Powder coated Sheet Metal
Cover Screws	Stainless Steel
Gasket for cover screws	Dryflex (SEBS)
Gasket	PUR (Polyurethane)
Standard Color	
Powder coated Sheet Metal Enclosure:	grey, RAL 7035





Enclosures made of Steel

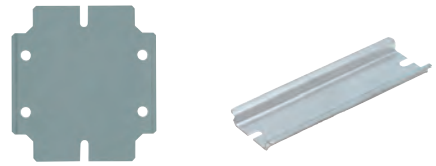
150 x 150 x 80 mm



Painted Steel	Part Number
Plain sides	3.180.0798.60

Assembly and machining services of your enclosures are available upon request. Drawings with additional dimensions can be furnished upon request.

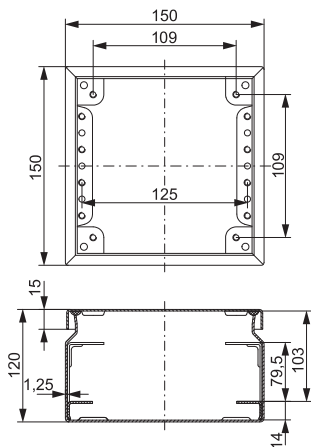
Accessories	Part Number
Mounting plate, 2 mm thick, galvanized steel	3.180.0573.94
DIN Rail, DIN 35	3.180.0568.78



Cover screws and seals as well as assembly screws and plugs are included.

Additional accessories available upon request

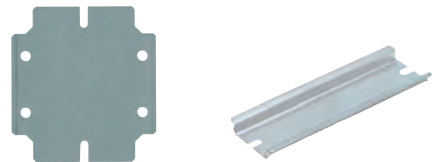
150 x 150 x 120 mm



Painted Steel	Part Number
Plain sides	3.180.0892.03

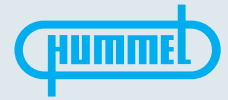
Assembly and machining services of your enclosures are available upon request. Drawings with additional dimensions can be furnished upon request.

Accessories	Part Number
Mounting plate, 2 mm thick, galvanized steel	3.180.0573.94
DIN Rail, DIN 35	3.180.0568.78



Cover screws and seals as well as assembly screws and plugs are included.

Additional accessories available upon request



Enclosures made of Steel

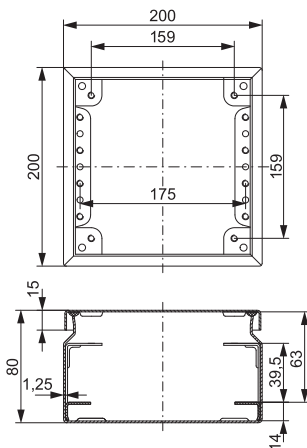
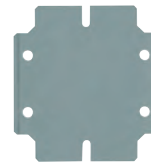
200 x 200 x 80 mm



Painted Steel	Part Number
Plain sides	3.180.0798.77

Assembly and machining services of your enclosures are available upon request.
Drawings with additional dimensions can be furnished upon request.

Accessories	Part Number
Mounting plate, 2 mm thick, galvanized steel	3.180.0574.17
DIN Rail, DIN 35	3.180.0568.85



Cover screws and seals as well as assembly screws and plugs are included.

Additional accessories available upon request

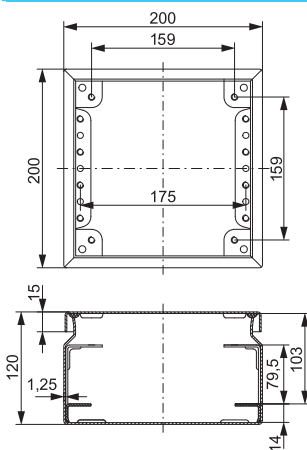
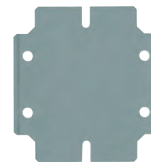
200 x 200 x 120 mm



Painted Steel	Part Number
Plain sides	3.180.0892.10

Assembly and machining services of your enclosures are available upon request.
Drawings with additional dimensions can be furnished upon request.

Accessories	Part Number
Mounting plate, 2 mm thick, galvanized steel	3.180.0574.17
DIN Rail, DIN 35	3.180.0568.85



Cover screws and seals as well as assembly screws and plugs are included.

Additional accessories available upon request



Enclosures made of Steel

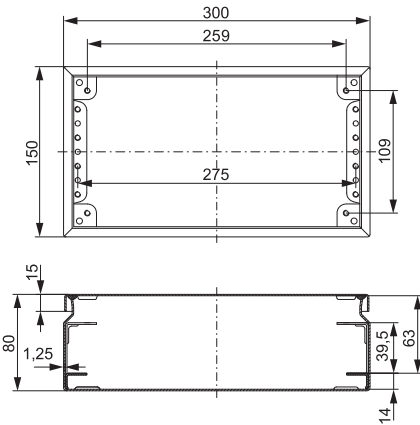
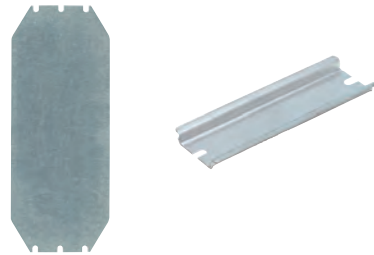
300 x 150 x 80 mm



Painted Steel	Part Number
Plain sides	3.180.0798.84

Assembly and machining services of your enclosures are available upon request.
Drawings with additional dimensions can be furnished upon request.

Accessories	Part Number
Mounting plate, 2 mm thick, galvanized steel	3.180.0994.62
DIN Rail, DIN 35	3.180.0568.92



Cover screws and seals as well as assembly screws and plugs are included.

Additional accessories available upon request

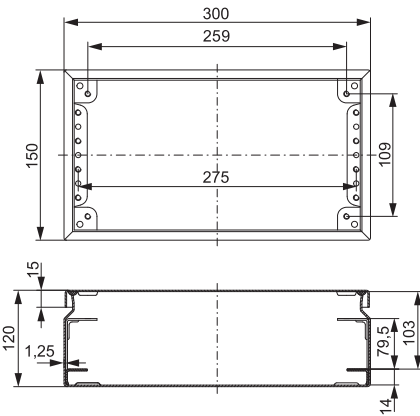
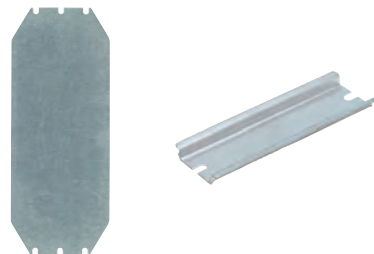
300 x 150 x 120 mm



Painted Steel	Part Number
Plain sides	3.180.0892.27

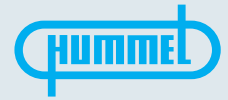
Assembly and machining services of your enclosures are available upon request.
Drawings with additional dimensions can be furnished upon request.

Accessories	Part Number
Mounting plate, 2 mm thick, galvanized steel	3.180.0994.62
DIN Rail, DIN 35	3.180.0568.92



Cover screws and seals as well as assembly screws and plugs are included.

Additional accessories available upon request



Enclosures made of Steel

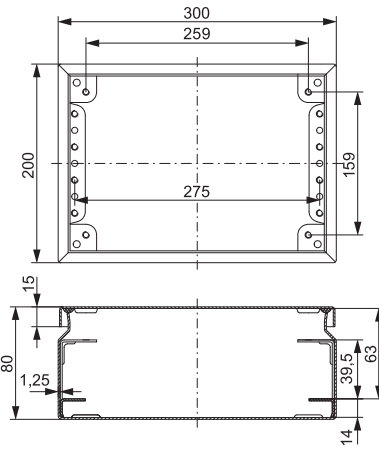
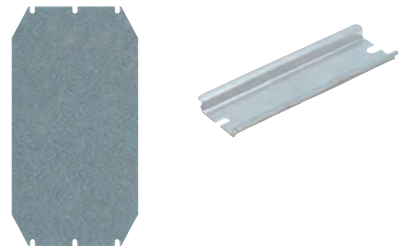
300 x 200 x 80 mm



Painted Steel	Part Number
Plain sides	3.180.0798.91

Assembly and machining services of your enclosures are available upon request.
Drawings with additional dimensions can be furnished upon request.

Accessories	Part Number
Mounting plate, 2 mm thick, galvanized steel	3.180.0994.79
DIN Rail, DIN 35	3.180.0568.92



Cover screws and seals as well as assembly screws and plugs are included.

Additional accessories available upon request

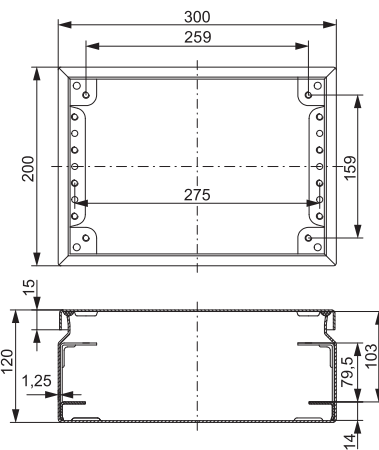
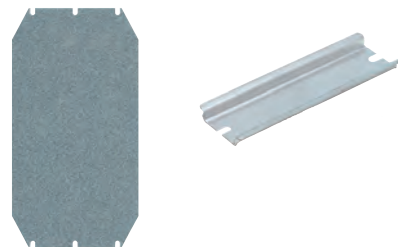
300 x 200 x 120 mm



Painted Steel	Part Number
Plain sides	3.180.0892.34

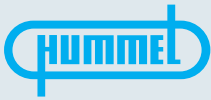
Assembly and machining services of your enclosures are available upon request.
Drawings with additional dimensions can be furnished upon request.

Accessories	Part Number
Mounting plate, 2 mm thick, galvanized steel	3.180.0994.79
DIN Rail, DIN 35	3.180.0568.92



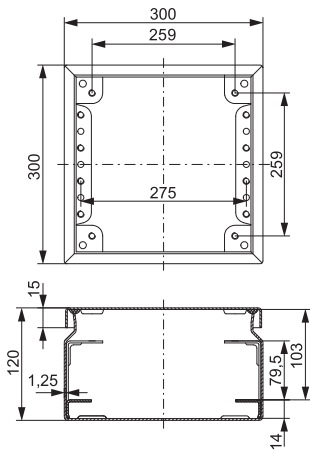
Cover screws and seals as well as assembly screws and plugs are included.

Additional accessories available upon request



Enclosures made of Steel

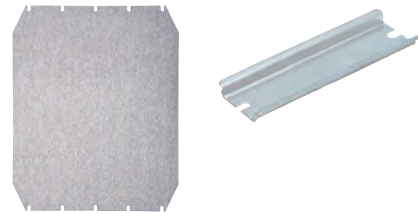
300 x 300 x 120 mm



Painted Steel	Part Number
Plain sides	3.180.0892.41

Assembly and machining services of your enclosures are available upon request. Drawings with additional dimensions can be furnished upon request.

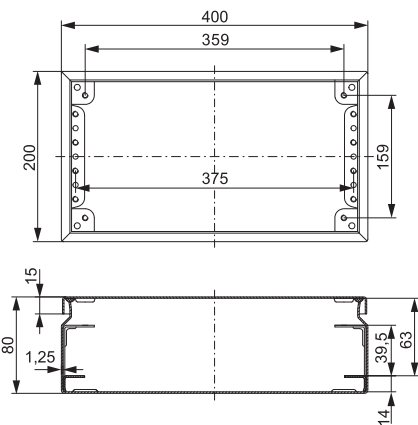
Accessories	Part Number
Mounting plate, 2 mm thick, galvanized steel	3.180.0574.79
DIN Rail, DIN 35	3.180.0568.92



Cover screws and seals as well as assembly screws and plugs are included.

Additional accessories available upon request

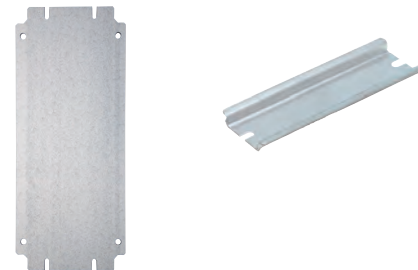
400 x 200 x 80 mm



Painted Steel	Part Number
Plain sides	3.180.0799.14

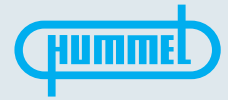
Assembly and machining services of your enclosures are available upon request. Drawings with additional dimensions can be furnished upon request.

Accessories	Part Number
Mounting plate, 2 mm thick, galvanized steel	3.180.0994.86
DIN Rail, DIN 35	3.180.0569.08



Cover screws and seals as well as assembly screws and plugs are included.

Additional accessories available upon request



Enclosures made of Steel

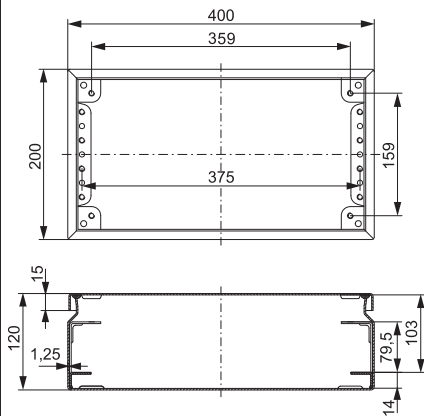
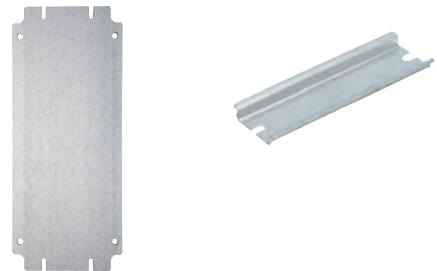
400 x 200 x 120 mm



Painted Steel	Part Number
Plain sides	3.180.0892.58

Assembly and machining services of your enclosures are available upon request.
Drawings with additional dimensions can be furnished upon request.

Accessories	Part Number
Mounting plate, 2 mm thick, galvanized steel	3.180.0994.86
DIN Rail, DIN 35	3.180.0569.08



Cover screws and seals as well as assembly screws and plugs are included.

Additional accessories available upon request

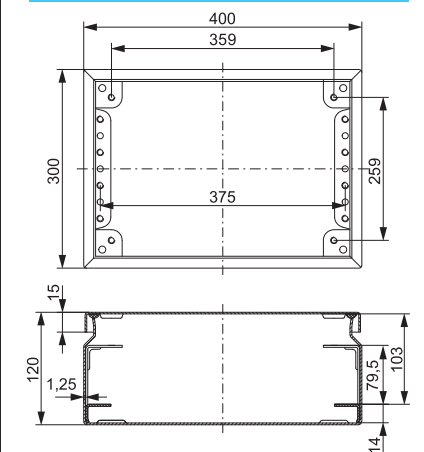
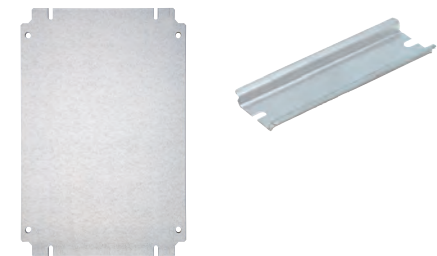
400 x 300 x 120 mm



Painted Steel	Part Number
Plain sides	3.180.0892.65

Assembly and machining services of your enclosures are available upon request.
Drawings with additional dimensions can be furnished upon request.

Accessories	Part Number
Mounting plate, 2 mm thick, galvanized steel	3.180.0994.93
DIN Rail, DIN 35	3.180.0569.08



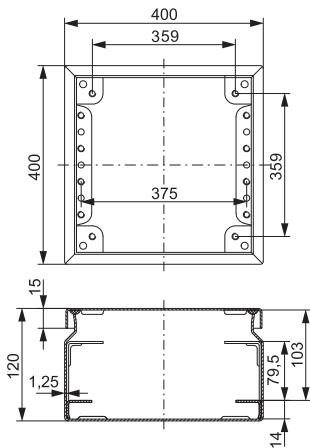
Cover screws and seals as well as assembly screws and plugs are included.

Additional accessories available upon request



Enclosures made of Steel

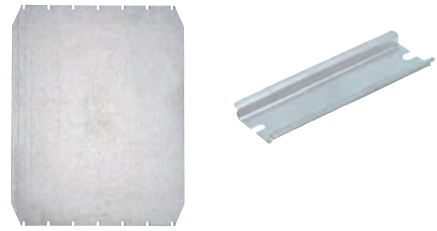
400 x 400 x 120 mm



Painted Steel	Part Number
Plain sides	3.180.0892.72

Assembly and machining services of your enclosures are available upon request. Drawings with additional dimensions can be furnished upon request.

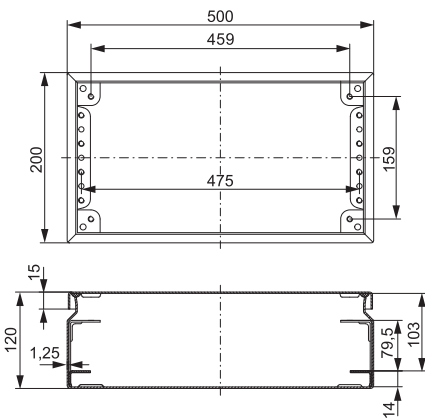
Accessories	Part Number
Mounting plate, 2 mm thick, galvanized steel	3.180.0575.16
DIN Rail, DIN 35	3.180.0569.08



Cover screws and seals as well as assembly screws and plugs are included.

Additional accessories available upon request

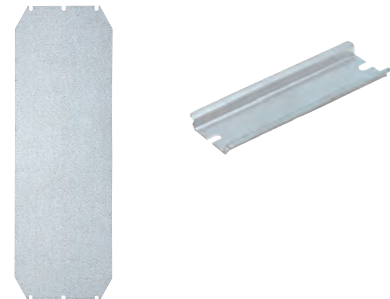
500 x 200 x 120 mm



Painted Steel	Part Number
Plain sides	3.180.0892.89

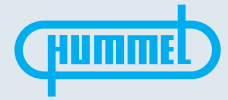
Assembly and machining services of your enclosures are available upon request. Drawings with additional dimensions can be furnished upon request.

Accessories	Part Number
Mounting plate, 2 mm thick, galvanized steel	3.180.0995.09
DIN Rail, DIN 35	3.180.0569.15



Cover screws and seals as well as assembly screws and plugs are included.

Additional accessories available upon request



Enclosures made of Steel

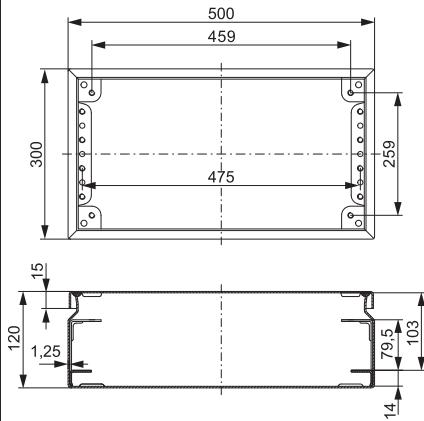
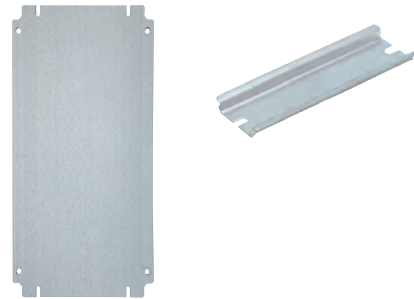
500 x 300 x 120 mm



Painted Steel	Part Number
Plain sides	3.180.0892.96

Assembly and machining services of your enclosures are available upon request.
Drawings with additional dimensions can be furnished upon request.

Accessories	Part Number
Mounting plate, 2 mm thick, galvanized steel	3.180.0995.16
DIN Rail, DIN 35	3.180.0569.15



Cover screws and seals as well as assembly screws and plugs are included.

Additional accessories available upon request

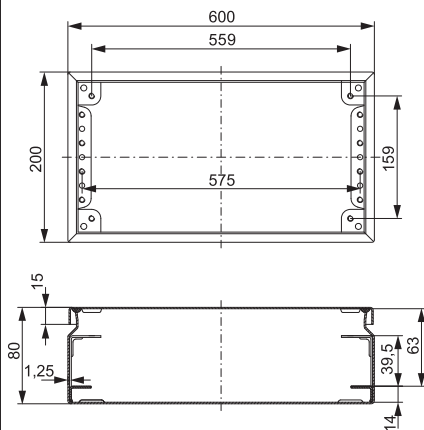
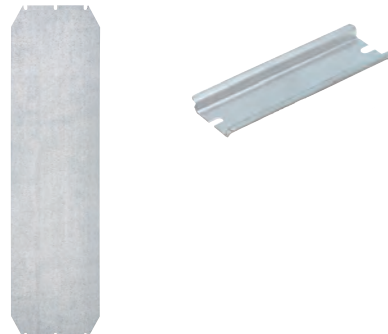
600 x 200 x 80 mm



Painted Steel	Part Number
Plain sides	3.180.0799.69

Assembly and machining services of your enclosures are available upon request.
Drawings with additional dimensions can be furnished upon request.

Accessories	Part Number
Mounting plate, 2 mm thick, galvanized steel	3.180.0995.23
DIN Rail, DIN 35	3.180.0569.22



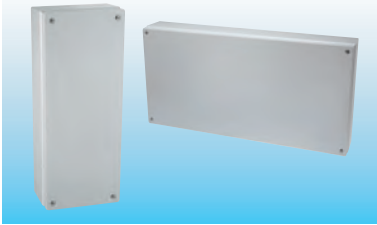
Cover screws and seals as well as assembly screws and plugs are included.

Additional accessories available upon request



Enclosures made of Steel

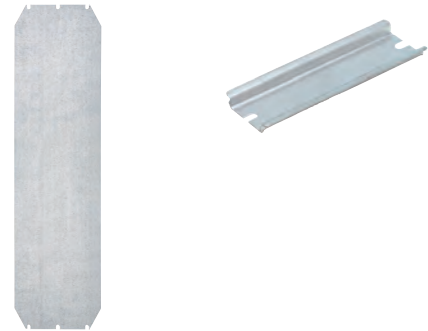
600 x 200 x 120 mm



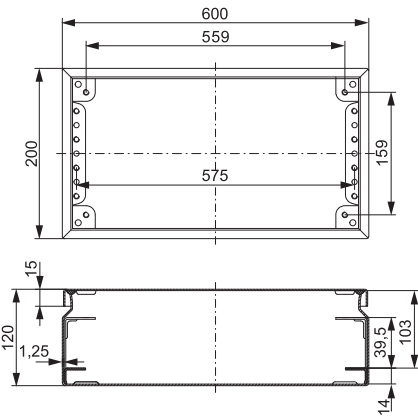
Painted Steel	Part Number
Plain sides	3.180.0893.02

Assembly and machining services of your enclosures are available upon request.
Drawings with additional dimensions can be furnished upon request.

Accessories	Part Number
Mounting plate, 2 mm thick, galvanized steel	3.180.0995.23
DIN Rail, DIN 35	3.180.0569.22



Additional accessories available upon request



Cover screws and seals as well as assembly screws and plugs are included.

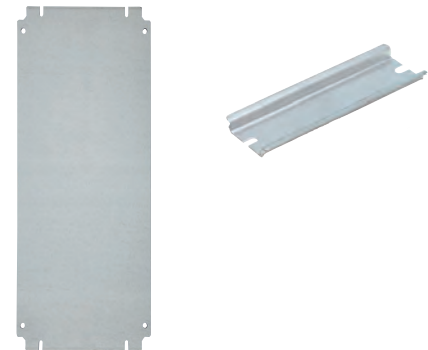
600 x 300 x 120 mm



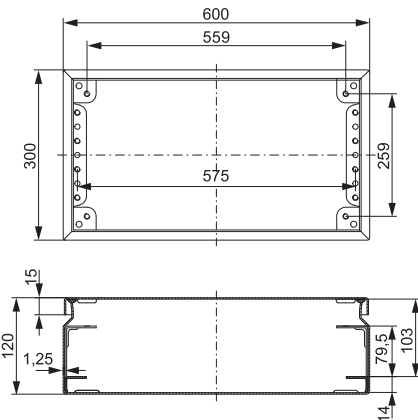
Painted Steel	Part Number
Plain sides	3.180.0893.19

Assembly and machining services of your enclosures are available upon request.
Drawings with additional dimensions can be furnished upon request.

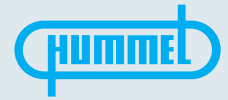
Accessories	Part Number
Mounting plate, 2 mm thick, galvanized steel	3.180.0995.30
DIN Rail, DIN 35	3.180.0569.22



Additional accessories available upon request



Cover screws and seals as well as assembly screws and plugs are included.



Enclosures made of Steel

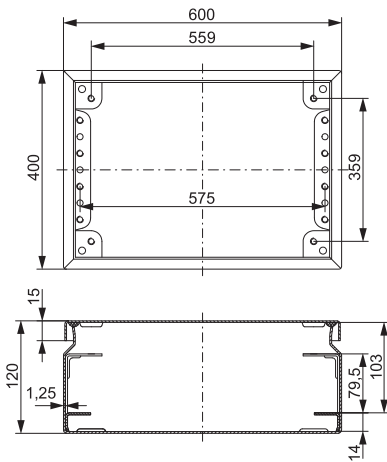
600 x 400 x 120 mm



Painted Steel	Part Number
Plain sides	3.180.0893.26

Assembly and machining services of your enclosures are available upon request.
Drawings with additional dimensions can be furnished upon request.

Accessories	Part Number
Mounting plate, 2 mm thick, galvanized steel	3.180.0995.47
DIN Rail, DIN 35	3.180.0569.22



Cover screws and seals as well as assembly screws and plugs are included.

Additional accessories available upon request

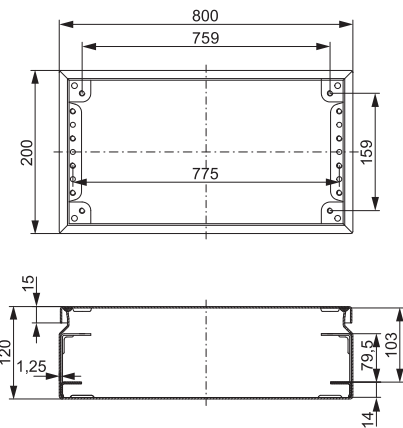
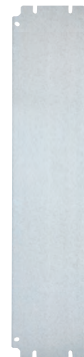
800 x 200 x 120 mm



Painted Steel	Part Number
Plain sides	3.180.0893.33

Assembly and machining services of your enclosures are available upon request.
Drawings with additional dimensions can be furnished upon request.

Accessories	Part Number
Mounting plate, 2 mm thick, galvanized steel	3.180.0995.54
DIN Rail, DIN 35	3.180.0569.39



Cover screws and seals as well as assembly screws and plugs are included.

Additional accessories available upon request



Enclosures made of Steel

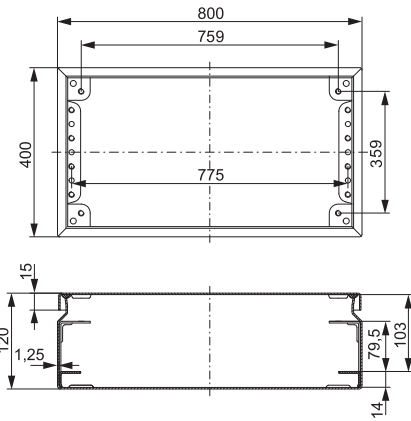
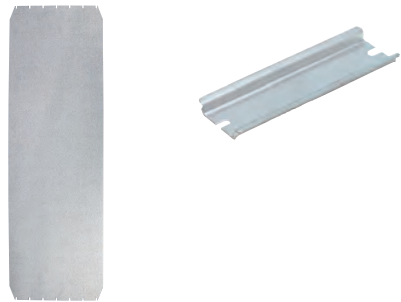
800 x 400 x 120 mm



Painted Steel	Part Number
Plain sides	3.180.0893.40

Assembly and machining services of your enclosures are available upon request.
 Drawings with additional dimensions can be furnished upon request.

Accessories	Part Number
Mounting plate, 2 mm thick, galvanized steel	3.180.0995.61
DIN Rail, DIN 35	3.180.0569.39



Cover screws and seals as well as assembly screws and plugs are included.

Additional accessories available upon request