

# SLIDE UNIT

SLIDE GUIDE

BALL SPLINE  
ROTARY BALL SPLINE

TOPBALL® PRODUCTS

SLIDE BUSH

SLIDE UNIT

STROKE BUSH  
SLIDE ROTARY BUSH

SLIDE SHAFT

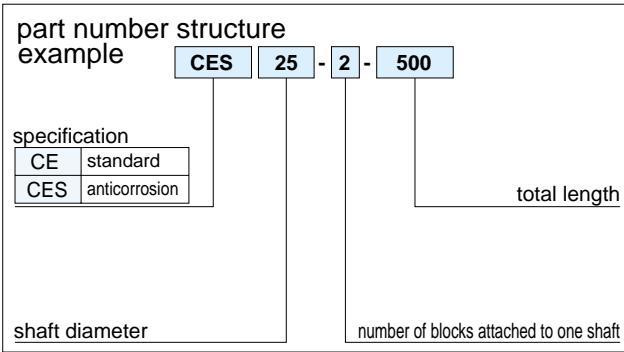
SLIDE WAY  
SLIDE TABLE  
GONIO WAY

ACTUATOR

SLIDE SCREW

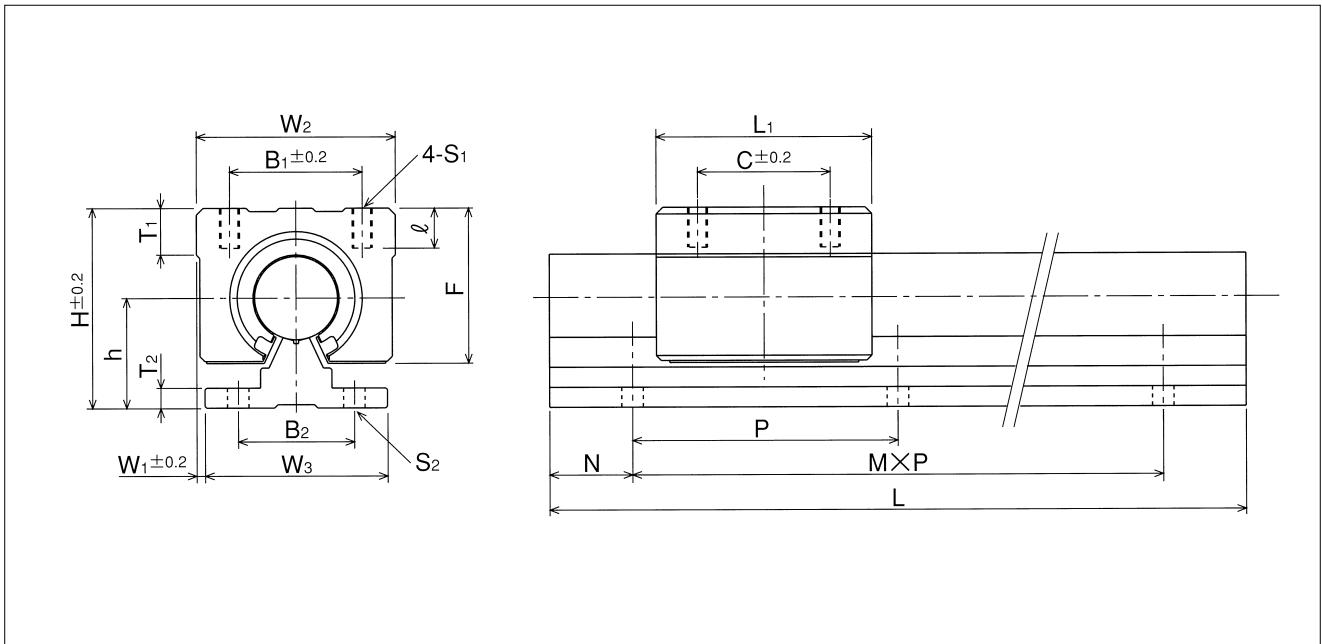
# CE TYPE

– Non-Clearance Adjustable Type –



part number		shaft diameter mm	assembly dimension											major dimensions																										
standard	anticorrosion		H				h				W <sub>1</sub>			W <sub>2</sub>				L <sub>1</sub>		B <sub>1</sub>		C		T <sub>1</sub>		∅		S <sub>1</sub>		F		W <sub>3</sub>		B <sub>2</sub>		T <sub>2</sub>		P		S <sub>2</sub>
<b>CE16</b>	<b>CES16</b>	16	45	25	2.5	45	45	32	30	9	12	M5	33	40	30	5	150	5.5																						
<b>CE20</b>	<b>CES20</b>	20	50	27	1.5	48	50	35	35	11	12	M6	39	45	30	5	150	5.5																						
<b>CE25</b>	<b>CES25</b>	25	60	33	2.5	60	65	40	40	14	12	M6	47	55	35	6	200	6.5																						
<b>CE30</b>	<b>CES30</b>	30	70	37	5	70	70	50	50	15	18	M8	56	60	40	7	200	6.5																						

\* Longer length are available. Please contact NB in case of the length exceeds 2,000mm.

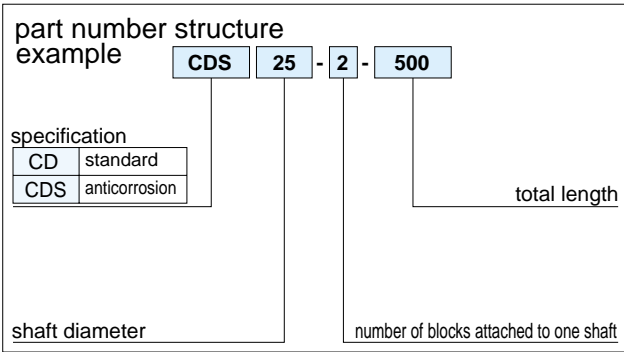
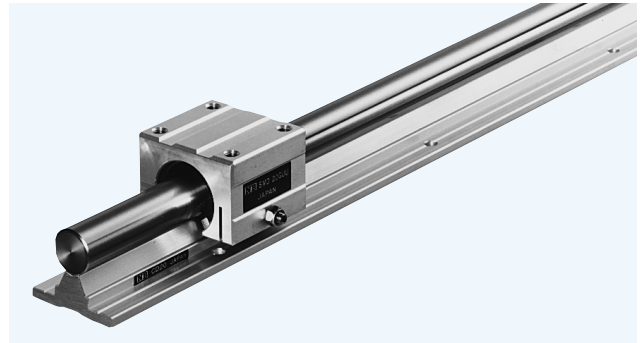


rail dimensions				basic load rating		mass		size
				dynamic C N	static Co N	block g	rail kg/m	
*L(M,N) mm								
300( 1,75)	500( 3,25)	800( 5,25)	1,000( 6,50)	774	1,180	150	2.58	<b>16</b>
1,500( 9,75)	1,800(11,75)	2,000(13,25)						
300( 1,75)	500( 3,25)	800( 5,25)	1,000( 6,50)	882	1,370	200	3.49	<b>20</b>
1,500( 9,75)	1,800(11,75)	2,000(13,25)						
300( 1,50)	500( 2,50)	800( 3,100)	1,000( 4,100)	980	1,570	450	5.31	<b>25</b>
1,500( 7,50)	1,800( 8,100)	2,000( 9,100)						
300( 1,50)	500( 2,50)	800( 3,100)	1,000( 4,100)	1,570	2,740	630	7.39	<b>30</b>
1,500( 7,50)	1,800( 8,100)	2,000( 9,100)						

1N $\approx$ 0.102kgf

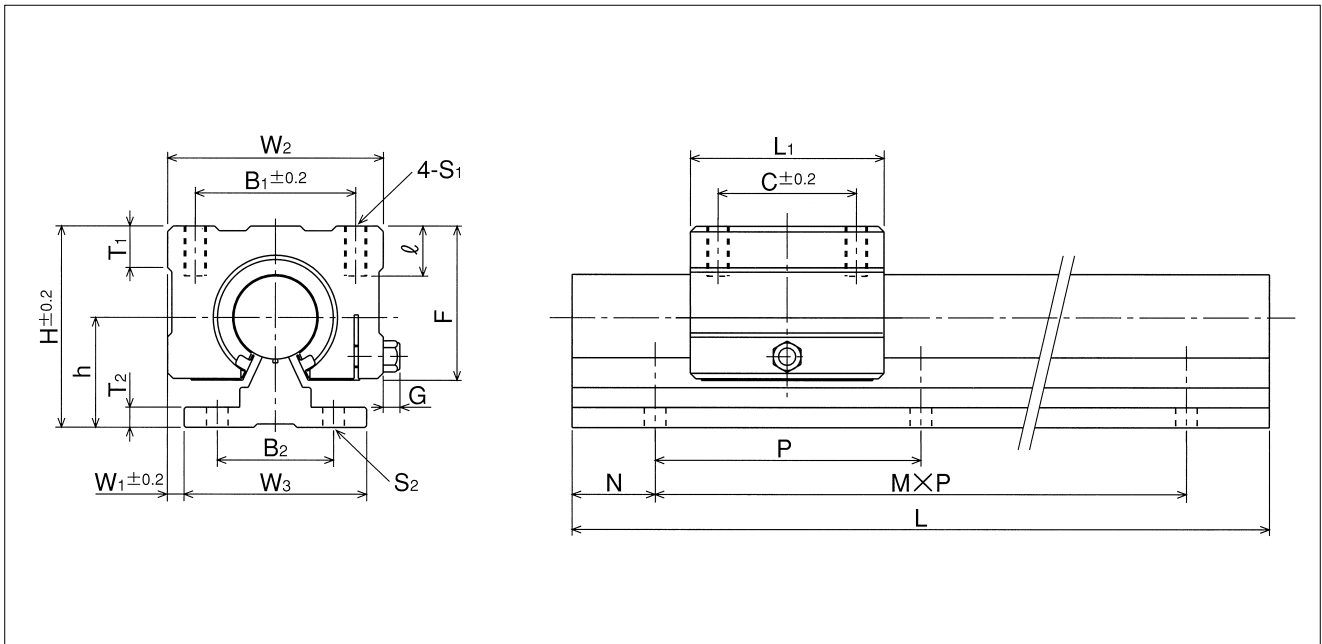
# CD TYPE

– Clearance Adjustable Type –



part number		shaft diameter mm	assembly dimensions										major dimensions						
standard	anticorrosion		H	h	W <sub>1</sub>	W <sub>2</sub>	L <sub>1</sub>	B <sub>1</sub>	C	T <sub>1</sub>	ℓ	S <sub>1</sub>	G	F	W <sub>3</sub>	B <sub>2</sub>	T <sub>2</sub>	P	S <sub>2</sub>
<b>CD16</b>	<b>CDS16</b>	16	45	25	5	50	45	36	30	9	12	M5	6	33	40	30	5	150	5.5
<b>CD20</b>	<b>CDS20</b>	20	50	27	4.5	54	50	40	35	11	12	M6	7	39	45	30	5	150	5.5
<b>CD25</b>	<b>CDS25</b>	25	60	33	10.5	76	65	54	40	14	12	M6	7	47	55	35	6	200	6.5
<b>CD30</b>	<b>CDS30</b>	30	70	37	9	78	70	58	50	15	18	M8	7	56	60	40	7	200	6.5

\* Longer length are available. Please contact NB in case of the length exceeds 2,000mm.



rail dimensions	basic load rating		mass		size
	dynamic C N	static Co N	block g	rail kg/m	
*L(M,N) mm					
300( 1,75)    500( 3,25)    800( 5,25)    1,000( 6,50)	774	1,180	170	2.58	<b>16</b>
1,500( 9,75)    1,800(11,75)    2,000(13,25)					
300( 1,75)    500( 3,25)    800( 5,25)    1,000( 6,50)	882	1,370	240	3.49	<b>20</b>
1,500( 9,75)    1,800(11,75)    2,000(13,25)					
300( 1,50)    500( 2,50)    800( 3,100)    1,000( 4,100)	980	1,570	580	5.31	<b>25</b>
1,500( 7,50)    1,800( 8,100)    2,000( 9,100)					
300( 1,50)    500( 2,50)    800( 3,100)    1,000( 4,100)	1,570	2,740	720	7.39	<b>30</b>
1,500( 7,50)    1,800( 8,100)    2,000( 9,100)					

1N $\approx$ 0.102kgf