

TUBTARA®

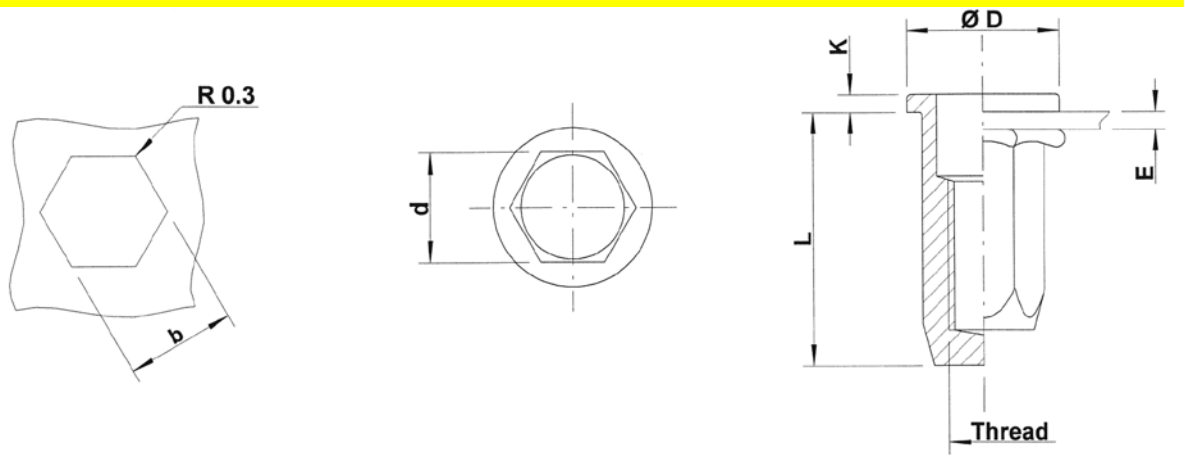


Steel

Flat head
Hexagonal shank
Closed end

Zinktop, Cr^{VI} - free (A)
Zinc plated, yellow passivated (B)

HUPX / HSPX



THREAD	TYPE	E = grip	L	b ^{+0,1} = hex hole	d = hex shank	D	K	kg/1000	ORDER CODE (A)	ORDER CODE (B)	BOX Q
M4	HUPX20	0,5-2,0	14,5	6,0	6,0	9,0	1,0	2,2	524 609*	524 600*	5000
M5	HUPX30	0,5-3,0	19,0	7,0	7,0	10,0	1,0	3,6	525 589	525 580	2500
	HUPX55	3,0-5,5	21,5					3,9	525 599*	525 590*	2500
M6	HUPX30	0,5-3,0	21,5	9,0	9,0	13,0	1,5	7,4	526 569	526 560	1500
	HUPX55	3,0-5,5	23,5					7,6	526 579*	526 570*	1500
M8	HUPX30	0,5-3,0	24,5	11,0	11,0	16,0	1,5	11,6	528 529	528 520	750
	HUPX55	3,0-5,5	27,0					12,2	528 539	528 530*	700
M10	HSPX35	0,8-3,5	31,0	13,0	13,0	19,0	2,0	19,0	520 654	520 655	400
	HSPX60	3,5-6,0	33,5					19,4	520 658*	520 656*	400

* **Non-stock item:** minimum order quantity required after depletion of stock

All dimensions in mm

Technical data subject to modification

