

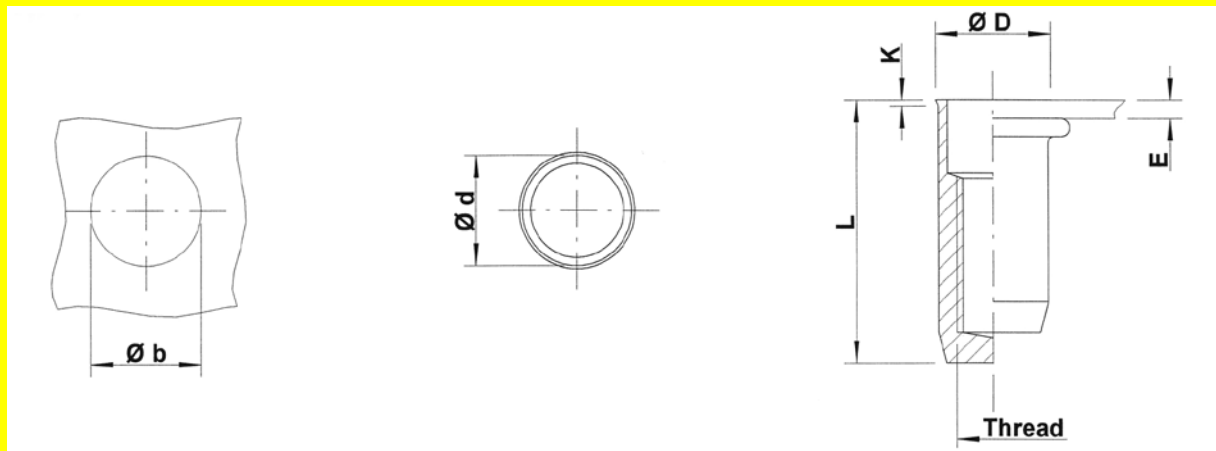
# TUBTARA®

## Steel

Low profile head  
Round shank  
Closed end

Zinktop, Cr<sup>VI</sup>- free (A)  
Zinc plated, yellow passivated (B)

## UKX



Steel

THREAD	TYPE	E = grip	L	b <sup>+0,1</sup> = drill dia	d = shank dia	D	K	kg/1000	ORDER CODE (A)	ORDER CODE (B)	BOX Q
M4	UKX30	0,5-3,0	15,0	6,0	6,0	6,5	0,5	1,8	524 579	524 570*	5000
M5	UKX30	0,5-3,0	18,0	7,0	7,0	7,5	0,5	2,8	525 559	525 550*	4000
M6	UKX30	0,5-3,0	21,5	9,0	9,0	9,5	0,5	5,8	526 519	526 510*	2000
M8	UKX30	0,5-3,0	22,5	11,0	11,0	11,5	0,5	8,3	528 479	528 470*	1250

\* **Non-stock item:** minimum order quantity required after depletion of stock

All dimensions in mm

Technical data subject to modification

